

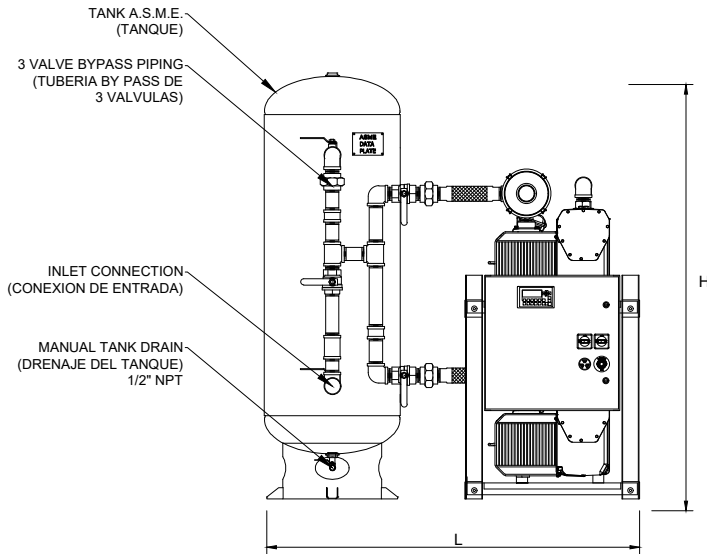
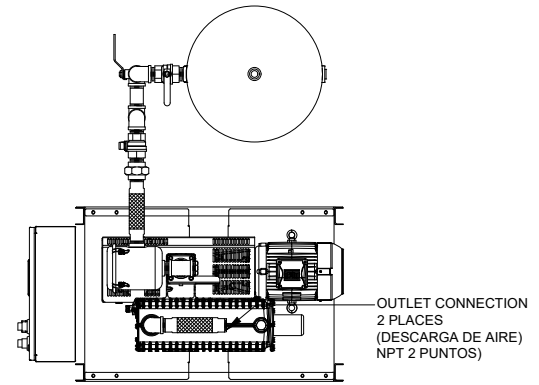
REVISION		
REV	DATE	DESCRIPTION
1	27-MAY-2020	FIRST EDITION
2	14-OCT-2020	DRAWING UPDATE
3	16-AUG-2021	TABLE UPDATE

NOTES:

1. Min. Clearance on all sides must be 36 inch / 90 cms, for proper ventilation and maintenance.
2. Recommended tight torques for wires terminals:  
208 to 460 Volt wire: 35 Lbs/in<sup>2</sup>  
115 Volt wires: 20 Lbs/in<sup>2</sup>.
3. Normal operation ambient temperature MAX 105°F/40°C.
4. Flex connctors will be shipped loose.
5. Information subject to change without notice.

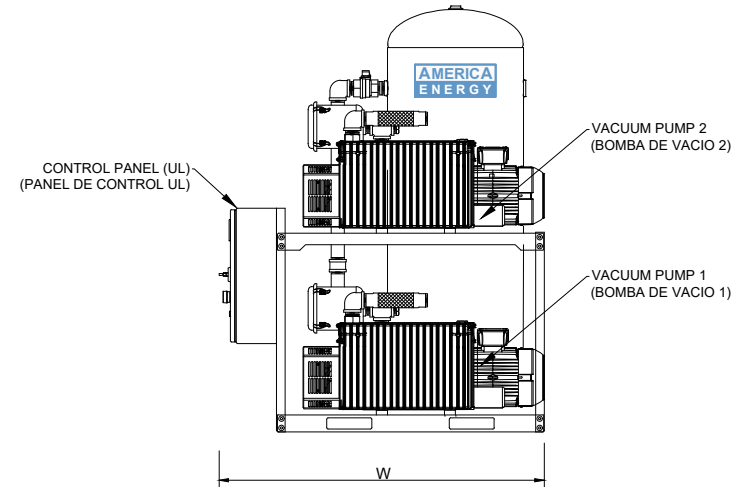
NOTAS:

1. Espacio mínimo alrededor del equipo 36 inch / 90 cms para garantizar adecuada ventilación y mantenimiento.
2. Torque recomendado de apriete para terminales de cables:  
Cables de 208 V a 460 V: 35 Lbs/in<sup>2</sup>  
Cables 115 V: 20 Lbs/in<sup>2</sup>
3. Temperatura ambiente de operación MAX: 105 °F / 40°C.
4. Las mangueras flexibles se envían sueltas.
5. Información sujeta a cambios sin previo aviso.



TANK CAP.	H	WEIGHT
Gal	in	Lbs
Lts	mm	Kgr
120	T.V	T.V
454	T.V	T.V
200	82	T.V + 180
757	2083	T.V + 82
240	95	T.V + 240
908	2413	T.V + 109

T.V: TABLE VALUE / VALOR DE TABLA



MODEL	HP 60 Hz	CONN.		TANK SIZE	CONF	PUMP FLOW		SYSTEM NFPA FLOW		PUMP AMP					BTU/hr	SOUND LEVEL	DIMENSION			WEIGHT					
		kW	IN			OUT	Gal	acfm	ONE PUMP		TOTAL SYSTEM AMP						Db (A)	L	W		H				
									50 Hz	60 Hz	50 Hz	60 Hz	190V	380V								208V	230V	400V	460V
			scfm			60 Hz																			
			50 Hz			60 Hz			@19 inHg													50 Hz	50 Hz	mm	mm
in	in								mm	mm	mm	Kgr													
AEV-L50HD-120-S-NNX	5.0	2	2	120	S	85.8	103.0	31.7	38.0	-	7.7	14.3	12.9	-	6.5	10611	72	69	60	79	1215				
	3.7			454		145.9	175.1	53.9	64.6	-	15.4	28.6	25.8	-	13.0	12733	74	1753	1524	2007	551				
AEV-L75D-120-S-NNX	7.5	2	2	120	S	117.7	141.3	43.0	51.6	17.1	8.5	20.1	18.1	-	9.1	15916	73	69	60	79	1495				
	4.0			454		200.1	240.2	73.1	87.7	34.2	17.0	40.2	36.2	-	18.2	19100	79	1753	1524	2007	678				
AEV-L100D-120-S-NNX	10	2	2	120	S	176.5	211.8	64.4	77.3	23.5	11.8	27.4	24.7	-	12.4	21216	74	69	60	79	1600				
	5.5			454		300.0	360.0	109.5	131.4	47.0	23.6	54.8	49.4	-	24.8	25460	78	1753	1524	2007	726				

X = CONTROL PANEL TYPE (E: ELECTRONIC / T: TOUCH SCREEN / TW: TOUCH SCREEN & WEB COMMUNICATION)

**AMERICA ENERGY, INC**  
Right Solution for Compressed Air & Vacuum Systems  
www.america-energy.com

TITLE: DIMENSIONAL DRAWING MEDICAL VACUUM SYSTEM  
VANE LUB 5 HP HIGH CAP., 7.5 HP & 10 HP DUPLEX STACK

DRAWING: DATE: 16-AUG-2021 DWG No DD-AEV-L50H\_100D-120\_240-S-NNXREV3  
S.N.  
DESIGN: SCALE:  
A.A. S/E  
CHECKED: SHEET:  
A.A. 1/1

THIS INFORMATION IS PROPERTY OF AMERICA ENERGY, INC. AND MAY NOT BE GIVEN TO ANY OTHER PARTY WITHOUT THE CONSENT OF AMERICA ENERGY, INC.