

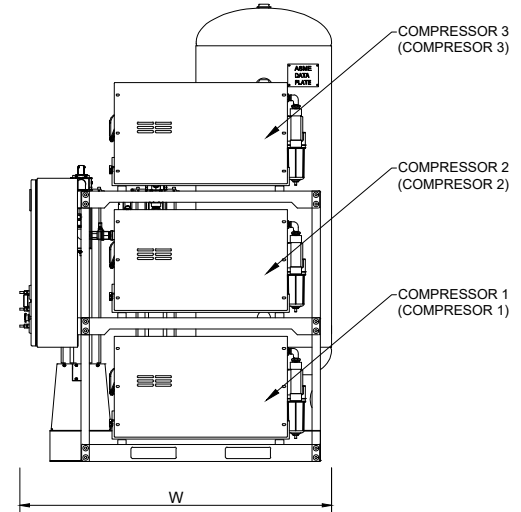
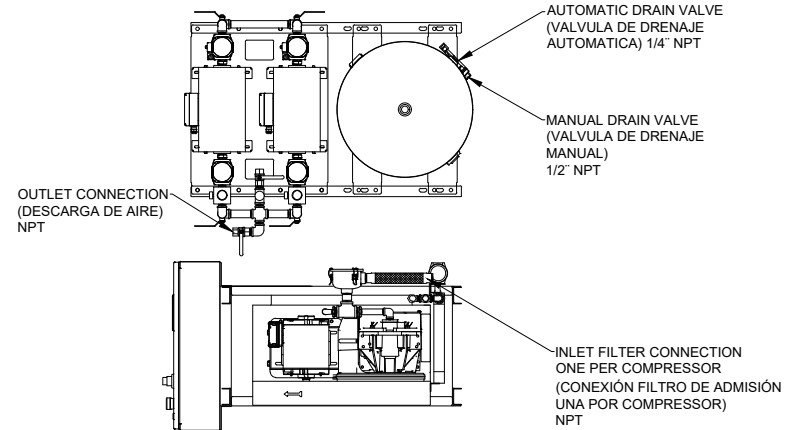
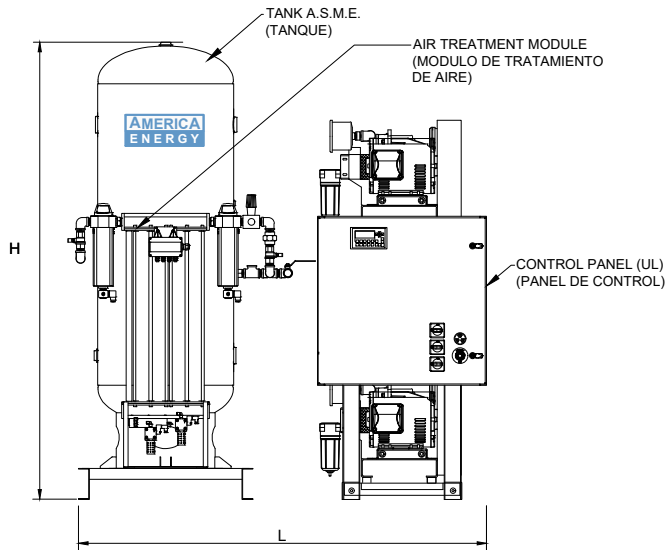
REVISION		
REV	DATE	DESCRIPTION
1	21-MAY-2021	FIRST EDITION

- NOTES:
- Min. Clearance on all sides must be 36 inch / 90 cms, for proper ventilation and maintenance.
 - Recommended tight torques for wires terminals:
208 to 460 Volt wire: 35 Lbs/in²
115 Volt wires: 20 Lbs/in².
 - Normal operation ambient temperature MAX 105°F/40°C.
 - Flex connctors will be shipped loose.
 - Information subject to change without notice.

- NOTAS:
- Espacio mínimo alrededor del equipo 36 inch / 90 cms para garantizar adecuada ventilación y mantenimiento.
 - Torque recomendado de apriete para terminales de cables:
Cables de 208 V a 460 V: 35 Lbs/in²
Cables 115 V: 20 Lbs/in²
 - Temperatura ambiente de operación MAX: 105 °F / 40°C.
 - Las mangueras flexibles se envían sueltas.
 - Información sujeta a cambios sin previo aviso.

TANK CAP.	H	WEIGHT
Gal	in	Lbs
Lts	mm	Kgr
80	78	T.V - 87
303	1930	T.V - 40
120	T.V	T.V
454	T.V	T.V

T.V: TABLE VALUE / VALOR DE TABLA



MODEL	HP kW	CONN.		TANK SIZE Gal Lts	CONF	PUMP FLOW (each module) cfm m3/hr		SYSTEM NFPA FLOW ONE PUMP STANBY cfm m3/hr				PUMP AMP TOTAL SYSTEM AMP						BTU/hr	SOUND LEVEL Db (A)	DIMENSION			WEIGHT Lbs Kgr
		IN NPT in	OUT NPT in			50 Hz	60 Hz	50 Hz	60 Hz	50 Hz	60 Hz	190V	380V	208V	230V	400V	460V			L in mm	W in mm	H in mm	
		50 Hz	60 Hz			50 Hz	60 Hz	50 Hz	60 Hz	50 Hz	60 Hz	190V	380V	208V	230V	400V	460V						
AES-O30T-120-S-NNX	3.0	1-1/4	1/2	120	S	10.4	10.4	20.8	20.8	20.2	20.2	9.1	4.6	8.5	7.7	4.4	3.9	15,280	75	76	60	84	1,700
	2.2			454		17.7	17.7	35.4	35.4	34.3	34.3	27.3	13.8	25.5	23.1	13.2	11.7			1,930	1,524	2,134	771
AES-O50T-120-S-NNX	5.0	1-1/4	1/2	120	S	17.2	17.2	34.4	34.4	32.6	32.6	15.4	7.7	14.0	12.7	7.3	6.3	25,467	77	76	60	84	1,790
	3.7			454		29.2	29.2	58.5	58.5	55.4	55.4	46.2	23.1	42.0	38.1	21.9	18.9			1,930	1,524	2,134	812
AES-O75T-120-S-NNX	7.5	1-1/4	3/4	120	S	25.2	25.2	50.4	50.4	48.4	48.4	21.4	10.7	19.2	17.3	-	8.7	38,201	77	76	68	84	1,900
	5.6			454		42.8	42.8	85.7	85.7	82.3	82.3	64.2	32.1	57.6	51.9	-	26.1			1,930	1,727	2,134	861
AES-O100MT-120-S-NNX	10.0	1-1/4	3/4	120	S	34.4	34.4	68.8	68.8	65.2	65.2	29.0	14.5	26.5	24.0	-	12.0	50,934	77	76	68	84	2,050
	7.5			454		58.5	58.5	117.0	117.0	110.8	110.8	87.0	43.5	79.5	72.0	-	36.0			1,930	1,727	2,134	930

X = CONTROL PANEL TYPE (E: ELECTRONIC / T: TOUCH SCREEN / TW: TOUCH SCREEN & WEB COMMUNICATION)

AMERICA ENERGY, INC
Right Solution for Compressed Air & Vacuum Systems
www.america-energy.com

TITLE: DIMENSIONAL DRAWING MEDICAL AIR SYSTEM
SCROLL 3HP_10HP TRIPLEX

DRAWING: DATE: 21-MAY-2021 DWG No DD-AES-O30_100MT-80_120-S-NNXrev1
S.N.
DESIGN: SCALE: S/E
A.A. S/E
CHECKED: SHEET: 1/1
A.A. 1/1

THIS INFORMATION IS PROPERTY OF AMERICA ENERGY, INC. AND MAY NOT BE GIVEN TO ANY OTHER PARTY WITHOUT THE CONSENT OF AMERICA ENERGY, INC.