

REVISION		
REV	DATE	DESCRIPTION
1	20-AUG-2019	FIRST EDITION
2	13-FEB-2020	TABLE UPDATE
3	20-APR-2020	TABLE 1.5 TO 5 HP
4	07-OCT-2020	80 GAL TANK TABLE
5	15-JUL-2021	VACUUM PUMP UPDATE

NOTES:

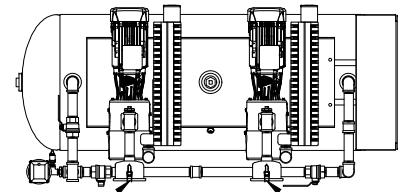
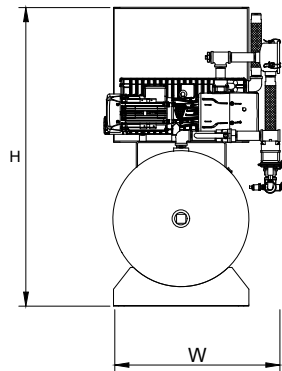
1. Min. Clearance on all sides must be 36 inch / 90 cms, for proper ventilation and maintenance.
2. Recommended tight torques for wires terminals:
208 to 460 Volt wire: 35 Lbs/in²
115 Volt wires: 20 Lbs/in².
3. Normal operation ambient temperature MAX 105°F/40°C.
4. Flex connectors will be shipped loose.
5. Information subject to change without notice.

NOTAS:

1. Espacio mínimo alrededor del equipo 36 inch / 90 cms para garantizar adecuada ventilación y mantenimiento.
2. Torque recomendado de apriete para terminales de cables:
Cables de 208 V a 460 V: 35 Lbs/in²
Cables 115 V: 20 Lbs/in²
3. Temperatura ambiente de operación MAX: 105 °F / 40°C.
4. Las mangueras flexibles se envían sueltas.
5. Información sujeta a cambios sin previo aviso.

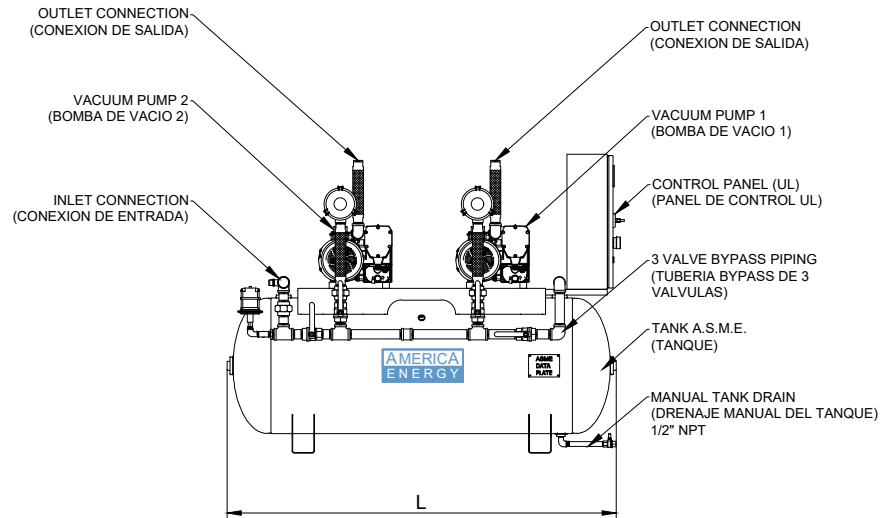
TANK CAP. Gal Lts	L Inch mm	H Inch mm	WEIGHT Lbs Kgr
120	T.V	T.V	T.V
454	T.V	T.V	T.V
80	T.V - 5	T.V - 4	T.V - 130
303	T.V - 127	T.V - 102	T.V - 59

T.V: TABLE VALUE / VALOR DE TABLA
VALID FOR 2-5 HP SYSTEMS /
VÁLIDO PARA SISTEMAS DE 2-5 HP



INTAKE FILTER PUMP 2
FILTRO DE AIRE BOMBA 2

INTAKE FILTER PUMP 1
FILTRO DE AIRE BOMBA 1



OUTLET CONNECTION
(CONEXION DE SALIDA)

OUTLET CONNECTION
(CONEXION DE SALIDA)

VACUUM PUMP 2
(BOMBA DE VACIO 2)

VACUUM PUMP 1
(BOMBA DE VACIO 1)

INLET CONNECTION
(CONEXION DE ENTRADA)

CONTROL PANEL (UL)
(PANEL DE CONTROL UL)

3 VALVE BYPASS PIPING
(TUBERIA BYPASS DE 3 VALVULAS)

TANK A.S.M.E.
(TANQUE)

MANUAL TANK DRAIN
(DRENAJE MANUAL DEL TANQUE)
1/2" NPT

MODEL	HP 60 Hz	CONN.		TANK SIZE Gal Lts	CONF	PUMP FLOW (each module)		SYSTEM NFPA FLOW ONE PUMP STANDBY		PUMP AMP TOTAL SYSTEM AMP						BTU/hr	SOUND LEVEL		DIMENSION			WEIGHT Lbs Kgr		
		IN NPT in	OUT NPT in			acfm m3/hr	scfm m3/hr	50 Hz	60 Hz	50 Hz	60 Hz	50 Hz		60 Hz				50 Hz	60 Hz	L in mm	W in mm		H in mm	
												190V	380V	208V	230V		400V							460V
												60 Hz	60 Hz											
AEV-L15D-80-H-NNX	1.5	1-1/4	1	80	H	17.3	20.8	6.3	7.6	3.9	2.0	4.5	4.1	-	2.1	3,183	62	67	29	51	600			
	0.9			303		29.5	35.4	10.8	12.9	7.9	3.9	9.1	8.2	-	4.1	3,820	64	1,702	737	1,296	272			
AEV-L20D-120-H-NNX	2.0	1-1/4	1	120	H	28.1	33.7	10.3	12.3	5.2	2.6	6.2	5.6	-	2.8	4,245	64	71	32	55	735			
	1.2			454		47.7	57.3	17.4	20.9	10.4	5.2	12.3	11.2	-	5.6	5,093	66	1,803	813	1,397	333			
AEV-L30D-120-H-NNX	3.0	1-1/4	1-1/4	120	H	40.0	48.0	14.6	17.5	7.0	3.5	8.6	7.8	-	3.91	6,367	67	71	34	55	875			
	1.9			454		68.0	81.6	24.8	29.8	14.0	7.0	17.2	15.6	-	7.8	7,640	69	1,803	864	1,397	397			
AEV-L50D-120-H-NNX	5.0	1-1/4	1-1/4	120	H	58.8	70.6	21.5	25.8	11.8	5.9	15.9	14.4	-	7.2	10,611	67	71	34	55	907			
	3.1			454		100.0	120.0	36.6	43.9	23.6	11.8	31.8	28.8	-	14.4	12,734	69	1,803	864	1,397	411			

X = CONTROL PANEL TYPE (E: ELECTRONIC / T: TOUCH SCREEN / TW: TOUCH SCREEN & WEB COMMUNICATION)



AMERICA ENERGY, INC

Right Solution for Compressed Air & Vacuum Systems
www.america-energy.com

TITLE: DIMENSIONAL DRAWING MEDICAL VACUUM SYSTEM
VANE LUB 1.5 HP TO 5 HP DUPLEX

DRAWING: J.E.	DATE: 15-JUL-2021	DWG No	DD-AEV-L15_50D-80_120-H-NNXREV5
DESIGN: A.A.	SCALE: S/E	THIS INFORMATION IS PROPERTY OF AMERICA ENERGY, INC. AND MAY NOT BE GIVEN TO ANY OTHER PARTY WITHOUT THE CONSENT OF AMERICA ENERGY, INC.	
CHECKED: A.A.	SHEET: 1/1		