

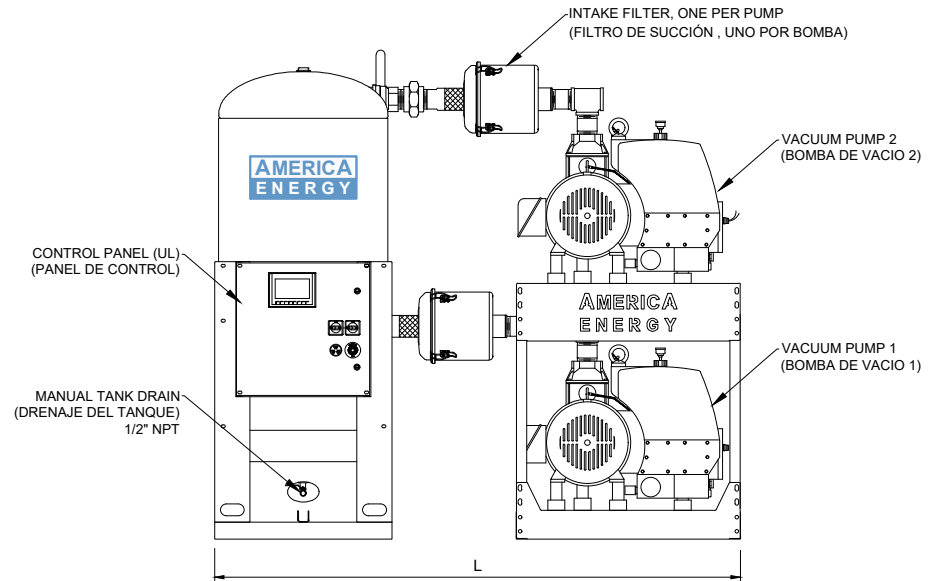
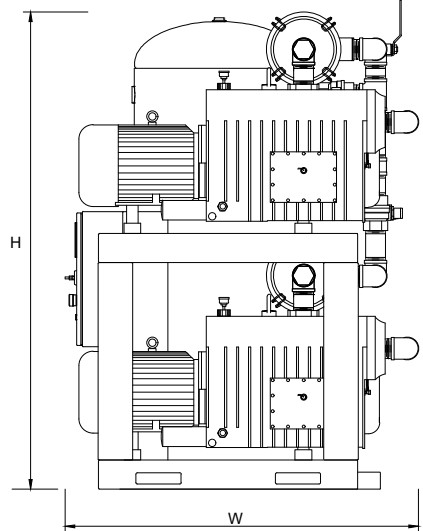
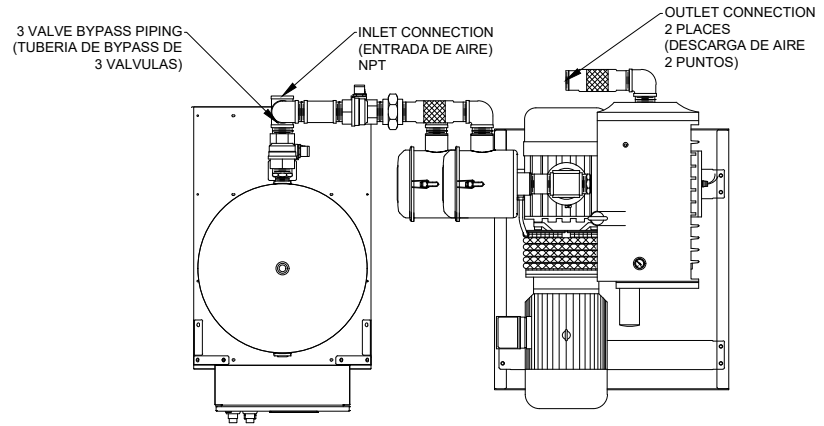
REVISION		
REV	DATE	DESCRIPTION
1	05-MAY-2020	FIRST EDITION
2	07-JUL-2020	TABLE UPDATE
3	16-MAR-2022	PUMPS BASE

NOTES:

1. Min. Clearance on all sides must be 36 inch / 90 cms, for proper ventilation and maintenance.
2. Recommended tight torques for wires terminals:
208 to 460 Volt wire: 35 Lbs/in²
115 Volt wires: 20 Lbs/in².
3. Normal operation ambient temperature MAX 105°F/40°C.
4. Flex connctors will be shipped loose.
5. Information subject to change without notice.

NOTAS:

1. Espacio mínimo alrededor del equipo 36 inch / 90 cms para garantizar adecuada ventilación y mantenimiento.
2. Torque recomendado de apriete para terminales de cables:
Cables de 208 V a 460 V: 35 Lbs/in²
Cables 115 V: 20 Lbs/in²
3. Temperatura ambiente de operación MAX: 105 °F / 40°C.
4. Las mangueras flexibles se envían sueltas.
5. Información sujeta a cambios sin previo aviso.



MODEL	HP 60 Hz kW 50 Hz	CONN.		TANK SIZE Gal Lts	CONF	PUMP FLOW (each module) acfm m3/hr		SYSTEM NFPA FLOW ONE PUMP STANDBY scfm m3/hr		PUMP AMP TOTAL SYSTEM AMP						BTU/hr	SOUND LEVEL Db (A)	DIMENSION			WEIGHT Lbs Kgr
		IN NPT in	OUT NPT in			50 Hz	60 Hz	50 Hz	60 Hz	50 Hz		60 Hz						L in mm	W in mm	H in mm	
										190V	380V	208V	230V	400V	460V						
		50 Hz	60 Hz			50 Hz	60 Hz	50 Hz	60 Hz	50 Hz	60 Hz	50 Hz	60 Hz								
AEV-L150D-200-S-NNX...	15	3	3	200	S	254.2	305.0	92.5	111.0	44.6	22.3	40.4	38.8	21.5	19.4	31,833	77	96	66	86	3,500
	11.2			432.1		518.5	157.3	188.7	89.2	44.6	80.8	77.6	43.0	38.8	38,199	79	2,438	1,676	2,184	1,588	
AEV-L200D-200-S-NNX...	20	3	3	200	S	312.5	375.0	114.2	137.0	56.0	28.0	54.0	52.0	28.0	26.0	42,443	77	96	73	86	3,985
	14.9			513.6		637.5	194.9	232.9	112.0	56.0	108.0	104.0	56.0	52.0	50,932	79	2,438	1,854	2,184	1,808	
AEV-L250D-200-S-NNX...	25	3	3	200	S	379.2	455.0	138.3	166.0	62.0	31.0	68.0	62.0	-	31.0	53,054	77	96	79	86	4,485
	18.5			644.6		773.5	235.2	282.2	124.0	62.0	136.0	124.0	-	62.0	63,665	79	2,438	2,007	2,184	2,034	

X = CONTROL PANEL TYPE (E: ELECTRONIC / T: TOUCH SCREEN / TW: TOUCH SCREEN & WEB COMMUNICATION)

AMERICA ENERGY, INC
Right Solution for Compressed Air & Vacuum Systems
www.america-energy.com

TITLE: **DIMENSIONAL DRAWING MEDICAL VACUUM SYSTEM LUBE VANE 15HP- 25HP DUPLEX**

DRAWING: DATE: 16-MAR-2022 DWG No DD-AEV-L150_250D-200_240-S-NNXrev3
S.N.
DESIGN: SCALE: THIS INFORMATION IS PROPERTY OF AMERICA ENERGY, INC. AND MAY NOT BE GIVEN TO ANY OTHER PARTY WITHOUT THE CONSENT OF AMERICA ENERGY, INC.
A.A. S/E
CHECKED: SHEET: 1/1
A.A.