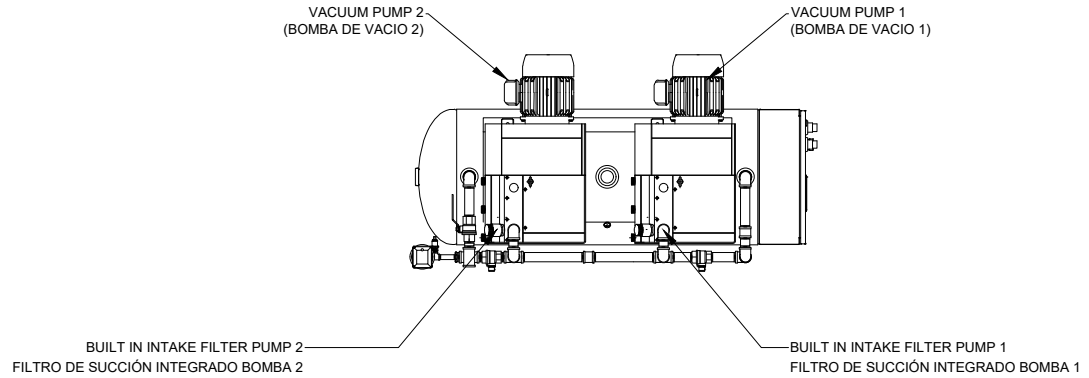


REVISION		
REV	DATE	DESCRIPTION
1	17-JUL-2020	FIRST EDITION
2	31-AUG-2020	TABLE UPDATE

- NOTES:
- Min. Clearance on all sides must be 36 inch / 90 cms, for proper ventilation and maintenance.
 - Recommended tight torques for wires terminals:
208 to 460 Volt wire: 35 Lbs/in²
115 Volt wires: 20 Lbs/in².
 - Normal operation ambient temperature MAX 105°F/40°C.
 - Flex connctors will be shipped loose.
 - Information subject to change without notice.

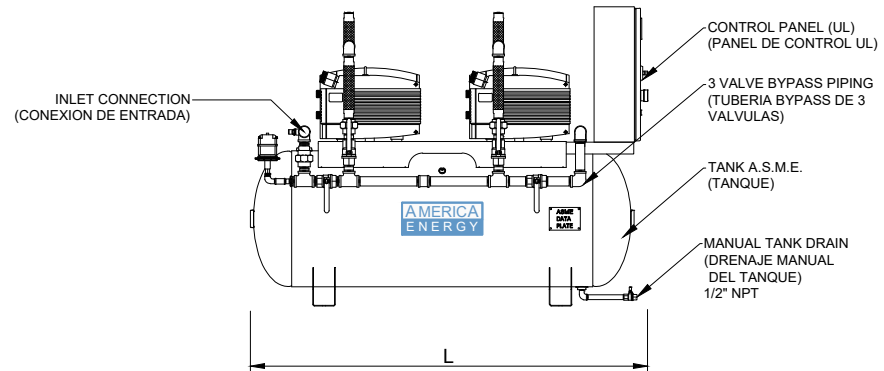
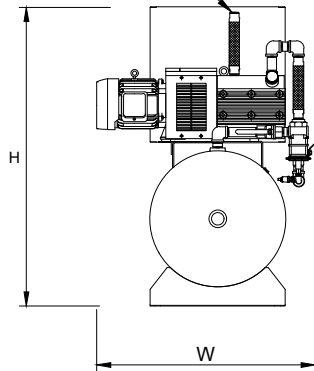
- NOTAS:
- Espacio mínimo alrededor del equipo 36 inch / 90 cms para garantizar adecuada ventilación y mantenimiento.
 - Torque recomendado de apriete para terminales de cables:
Cables de 208 V a 460 V: 35 Lbs/in²
Cables 115 V: 20 Lbs/in²
 - Temperatura ambiente de operación MAX: 105 °F / 40°C.
 - Las mangueras flexibles se envían sueltas.
 - Información sujeta a cambios sin previo aviso.



OUTLET CONNECTION
2 PLACES
(CONEXION DE SALIDA 2 PUNTOS)

TANK CAP. Gal Lts	L Inch mm	WEIGHT Lbs Kgr
80*	T.V - 5	T.V - 135
303*	T.V - 127	T.V - 61
120	T.V	T.V
454	T.V	T.V

T.V: TABLE VALUE / VALOR DE TABLA
* AVAILABLE ONLY FOR 3.5 HP SYSTEMS



MODEL	HP 60 Hz kW 50 Hz	CONN.		TANK SIZE Gal Lts	CONF	PUMP FLOW (each module) acfm m3/hr		SYSTEM NFPA FLOW ONE PUMP STANDBY scfm m3/hr		PUMP AMP TOTAL SYSTEM AMP					BTU/hr	SOUND LEVEL Db (A)	DIMENSION			WEIGHT Lbs Kgr		
		IN NPT in	OUT NPT in			50 Hz	60 Hz	50 Hz	60 Hz	50 Hz		60 Hz					50 Hz	60 Hz	L in mm		W in mm	H in mm
										190V	380V	208V	230V	400V								
										@19 inHg												
AEV-O35D-120-H-NNX	3.5	1-1/4"	1"	120	H	32.5	39.0	11.8	14.2	-	-	10.6	10.1	-	5.1	7428	71	73	39	56	950	
	2.2			454		55.3	66.3	20.1	24.2	-	-	21.2	20.2	-	10.2	8913	73	1854	991	1422	931	
AEV-O50D-120-H-NNX	5.0	1-1/4"	1-1/4"	120	H	55.0	66.0	20.1	24.1	-	-	14.2	12.7	-	6.9	10611	75	73	42	56	1050	
	3.0			454		93.5	112.2	34.2	41.0	-	-	28.4	25.4	-	13.8	12733	77	1854	1067	1422	476	

X = CONTROL PANEL TYPE (E: ELECTRONIC / T: TOUCH SCREEN / TW: TOUCH SCREEN & WEB COMMUNICATION)

AMERICA ENERGY, INC
Right Solution for Compressed Air & Vacuum Systems
www.america-energy.com

TITLE: DIMENSIONAL DRAWING MEDICAL VACUUM SYSTEM VANE DRY 3.5 & 5 HP DUPLEX HZTAL. TANK MOUNTED

DRAWING: DATE: 31-AUG-2020
S.N. SCALE:
DESIGN: S/E
A.A. S/E
CHECKED: SHEET:
A.A. 1/1

DWG No DD-AEV-O35_50D-120-H-NNXrev2

THIS INFORMATION IS PROPERTY OF AMERICA ENERGY, INC. AND MAY NOT BE GIVEN TO ANY OTHER PARTY WITHOUT THE CONSENT OF AMERICA ENERGY, INC.