

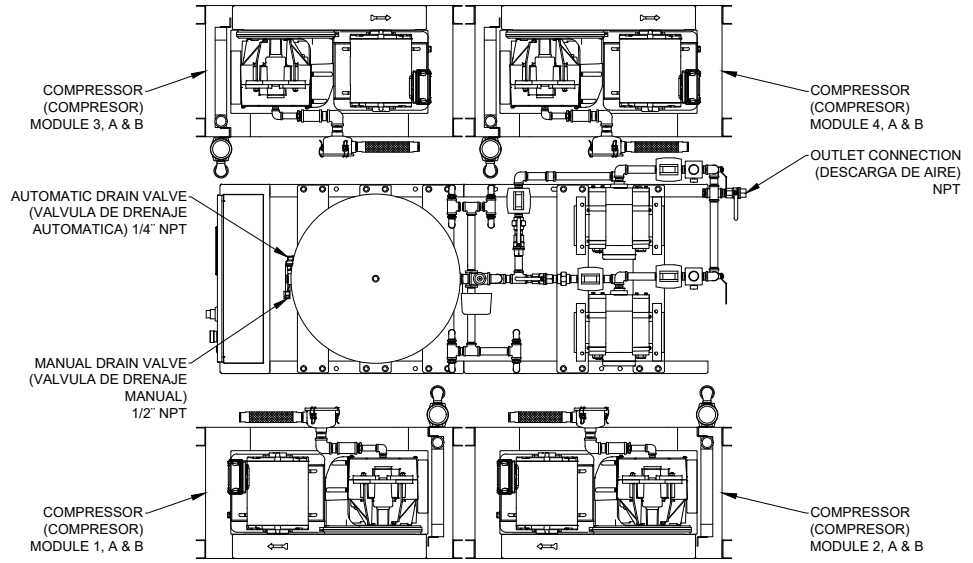
REVISION		
REV#	DATE	DESCRIPTION
1	05-ABR-2019	FIRST EDITION
2	07-ABR-2020	VALVES FOR MODULES
3	20-ABR-2020	TABLE UPGRADE
4	28-JUL-2020	TABLE AND DRAWING UPGRADE

NOTES:

- Min. Clearance on all sides must be 36 inch / 90 cms, for proper ventilation and maintenance.
- Recommended tight torques for wires terminals:
208 to 460 Volt wire: 35 Lbs/in²
115 Volt wires: 20 Lbs/in².
- Normal operation ambient temperature MAX 105°F/40°C.
- Flex connctors will be shipped loose.
- Information subject to change without notice.

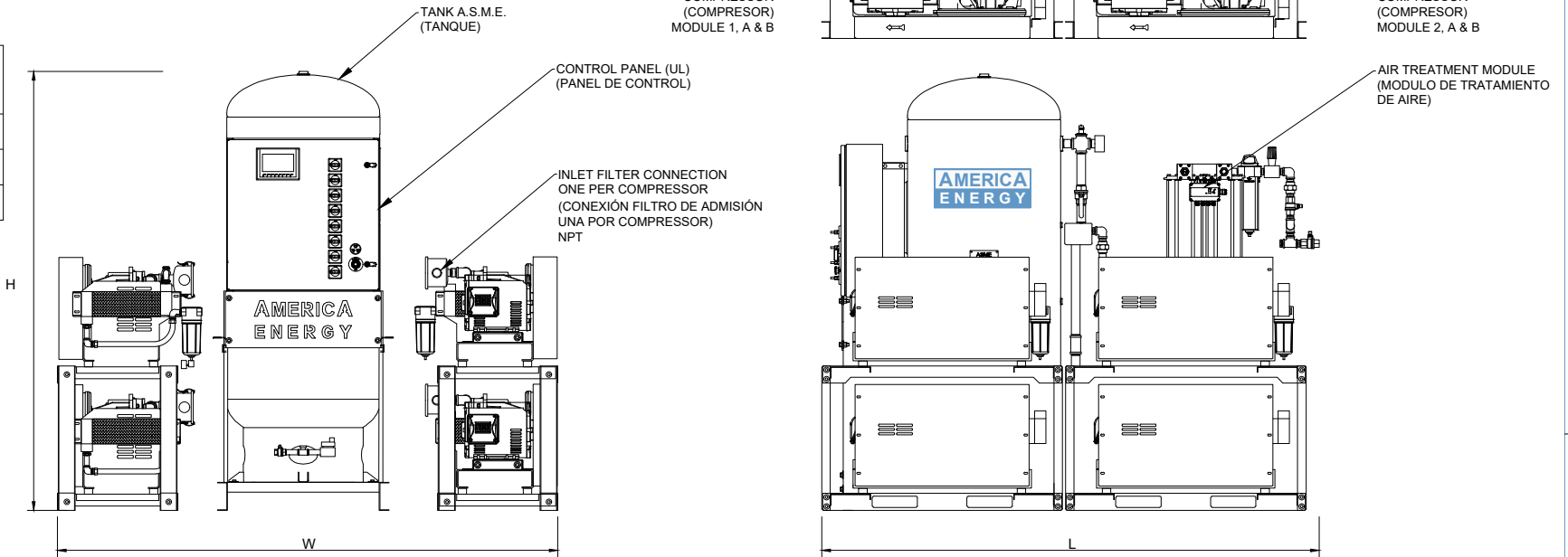
NOTAS:

- Espacio mínimo alrededor del equipo 36 inch / 90 cms para garantizar adecuada ventilación y mantenimiento.
- Torque recomendado de apriete para terminales de cables:
Cables de 208 V a 460 V: 35 Lbs/in²
Cables 115 V: 20 Lbs/in²
- Temperatura ambiente de operación MAX: 105 °F / 40°C.
- Las mangueras flexibles se envían sueltas.
- Información sujeta a cambios sin previo aviso.



TANK CAP.	H	WEIGHT
Gal	in	Lbs
Lts	mm	Kgr
120	T.V	T.V
454	T.V	T.V
200	89	T.V + 180
757	2261	T.V + 82
240	100	T.V + 240
908	2540	T.V + 109

T.V: TABLE VALUE / VALOR DE TABLA



MODEL	HP KW	CONN.		TANK SIZE Gal Lts	CONF	PUMP FLOW (each module) cfm m3/hr		SYSTEM NFPA FLOW ONE PUMP STANBY cfm m3/hr				PUMP AMP TOTAL SYSTEM AMP					BTU/hr	SOUND LEVEL Db (A)	DIMENSION			WEIGHT Lbs Kgr	
		IN NPT in	OUT NPT in			m3/hr		m3/hr		50 Hz		60 Hz			L in mm	W in mm			H in mm				
						@ 50 psig	@ 100 psig	50 Hz	60 Hz	190V	380V	208V	230V	400V						460V			
		50 Hz	60 Hz			50 Hz	60 Hz	50 Hz	60 Hz	190V	380V	208V	230V	400V	460V								
AES-O151Q-120-S-NNX	15.0	1-1/4	1-1/2	120	S	50.4	50.4	151.2	151.2	145.2	145.2	42.8	21.4	38.4	34.6	-	17.4	114602	81	100	95	85	4350
	11.2			454		85.7	85.7	257.0	257.0	246.8	246.8	171.2	92.4	85.6	138.4	-	69.6			2540	2413	2159	1973
AES-O201Q-120-S-NNX	20.0	1-1/4	1-1/2	120	S	68.8	68.8	206.4	206.4	195.6	195.6	58.0	29.0	53.0	48.0	-	24.0	152802	82	100	95	85	4650
	14.9			454		117.0	117.0	350.9	350.9	332.5	332.5	232.0	116.0	212.0	192.0	-	96.0			2540	2413	2159	2109

X = CONTROL PANEL TYPE (T: TOUCH SCREEN / TW: TOUCH SCREEN & WEB COMMUNICATION)

AMERICA ENERGY, INC
Right Solution for Compressed Air & Vacuum Systems
www.america-energy.com

TITLE: DIMENSIONAL DRAWING MEDICAL AIR SYSTEM SCROLL 15_20HP QUADRUPLEX MULTIMOTOR

DWG No DD-AES-O151_201Q-S-NN-T-ND-Arev4

DRAWING: J.E. DATE: 28-JUL-2020
DESIGN: A.A. SCALE: S/E
CHECKED: A.A. SHEET: 1/1

THIS INFORMATION IS PROPERTY OF AMERICA ENERGY, INC. AND MAY NOT BE GIVEN TO ANY OTHER PARTY WITHOUT THE CONSENT OF AMERICA ENERGY, INC.