

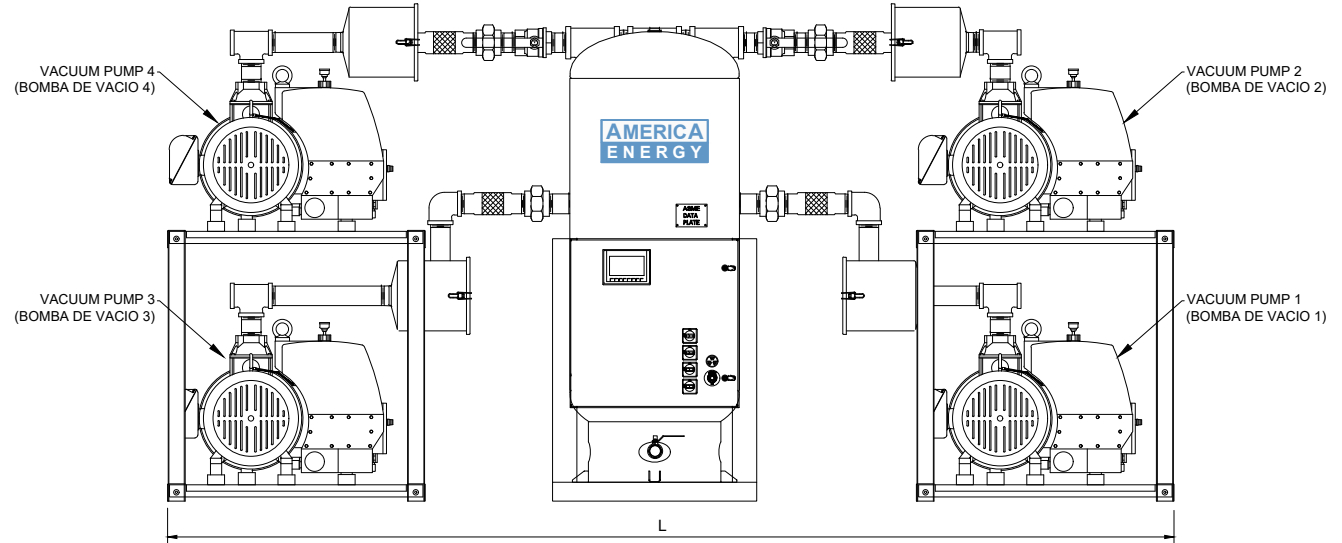
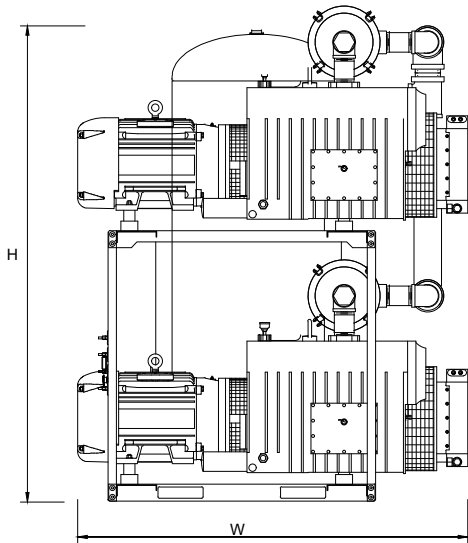
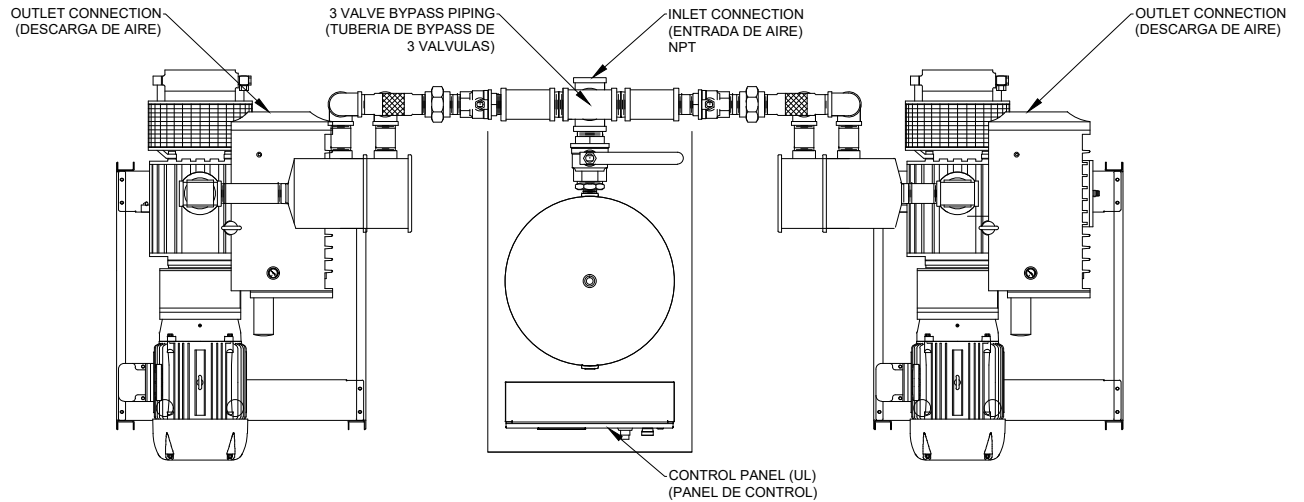
REVISION		
REV	DATE	DESCRIPTION
1	03-APR-2020	FIRST EDITION
2	21-JUL-2020	TABLE UPDATE

NOTES:

1. Min. Clearance on all sides must be 36 inch / 90 cms, for proper ventilation and maintenance.
2. Recommended tight torques for wires terminals:
208 to 460 Volt wire: 35 Lbs/in²
115 Volt wires: 20 Lbs/in².
3. Normal operation ambient temperature MAX 105°F/40°C.
4. Flex connctors will be shipped loose.
5. Information subject to change without notice.

NOTAS:

1. Espacio mínimo alrededor del equipo 36 inch / 90 cms para garantizar adecuada ventilación y mantenimiento.
2. Torque recomendado de apriete para terminales de cables:
Cables de 208 V a 460 V: 35 Lbs/in²
Cables 115 V: 20 Lbs/in²
3. Temperatura ambiente de operación MAX: 105 °F / 40 °C.
4. Las mangueras flexibles se envían sueltas.
5. Información sujeta a cambios sin previo aviso.



MODEL	HP 60 Hz kW 50 Hz	CONN.		TANK SIZE Gal Lts	CONF	PUMP FLOW (each module) acfm m ³ /hr		SYSTEM NFPA FLOW ONE PUMP STANDBY scfm m ³ /hr		PUMP AMP TOTAL SYSTEM AMP					BTU/hr	SOUND LEVEL Db (A)	DIMENSION			WEIGHT Lbs Kgr		
		IN NPT in	OUT NPT in			50 Hz	60 Hz	50 Hz	60 Hz	50 Hz		60 Hz					50 Hz	60 Hz	L in mm		W in mm	H in mm
										190V	380V	208V	230V	400V								
		@19 inHg				50 Hz	60 Hz	50 Hz	60 Hz	50 Hz	60 Hz	50 Hz	60 Hz									
AEV-L150Q-200-S-NNX...	15	4	3	200	S	254.2	305.0	277.5	333.0	44.6	22.3	40.4	38.8	21.5	19.4	95,496	82	155	80	85	6,428	
	11.2			757		432.1	518.5	471.8	566.1	178.4	89.2	161.6	155.2	86.0	77.6	114,595	83	3,937	2,032	2,489	2,916	
AEV-L200Q-200-S-NNX...	20	4	3	200	S	312.5	375.0	342.5	411.0	56.0	28.0	54.0	52.0	28.0	26.0	127,330	83	155	80	85	7,232	
	14.9			757		513.6	637.5	582.6	698.7	224.0	112.0	216.0	208.0	112.0	104.0	152,796	85	3,937	2,032	2,489	3,280	
AEV-L250Q-200-S-NNX...	25	4	3	200	S	379.2	455.0	415.0	498.0	62.0	31.0	68.0	62.0	-	31.0	159,162	86	155	80	85	8,200	
	18.5			757		644.6	773.5	705.5	336.6	248.0	124.0	272.0	248.0	-	124.0	190,995	88	3,937	2,032	2,489	3,720	

TANK CAP.	H	WEIGHT
Gal	in	Lbs
Lts	mm	Kgr
200	T.V	T.V
757	T.V	T.V
240	98	T.V + 240
908	2489	T.V + 109

T.V: TABLE VALUE /
VALOR DE TABLA



AMERICA ENERGY, INC

Right Solution for Compressed Air & Vacuum Systems
www.america-energy.com

TITLE: DIMENSIONAL DRAWING MEDICAL VACUUM SYSTEM
LUBE VANE 15HP- 25HP QUADRUPLEX

DRAWING: S.N.	DATE: 21-JUL-2020	DWG No	DD-AEV-L150_250Q-200_240-S-NNXrev2
DESIGN: A.A.	SCALE: S/E	THIS INFORMATION IS PROPERTY OF AMERICA ENERGY, INC. AND MAY NOT BE GIVEN TO ANY OTHER PARTY WITHOUT THE CONSENT OF AMERICA ENERGY, INC.	
CHECKED: A.A.	SHEET: 1/1		

X = CONTROL PANEL TYPE (E: ELECTRONIC / T: TOUCH SCREEN / TW: TOUCH SCREEN & WEB COMMUNICATION)