

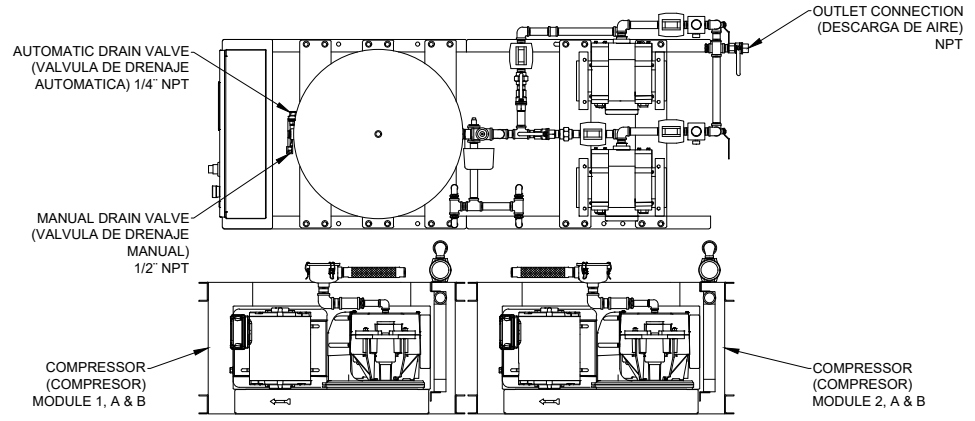
REVISION		
REV	DATE	DESCRIPTION
1	09-SEP-2019	FIRST EDITION
2	02-DEC-2019	UPDATE TABLE DATA

NOTES:

1. Min. Clearance on all sides must be 36 inch / 90 cms, for proper ventilation and maintenance.
2. Recommended tight torques for wires terminals:
208 to 460 Volt wire: 35 Lbs/in²
115 Volt wires: 20 Lbs/in².
3. Normal operation ambient temperature MAX 105°F/40°C.
4. Flex connctors will be shipped loose.
5. Information subject to change without notice.

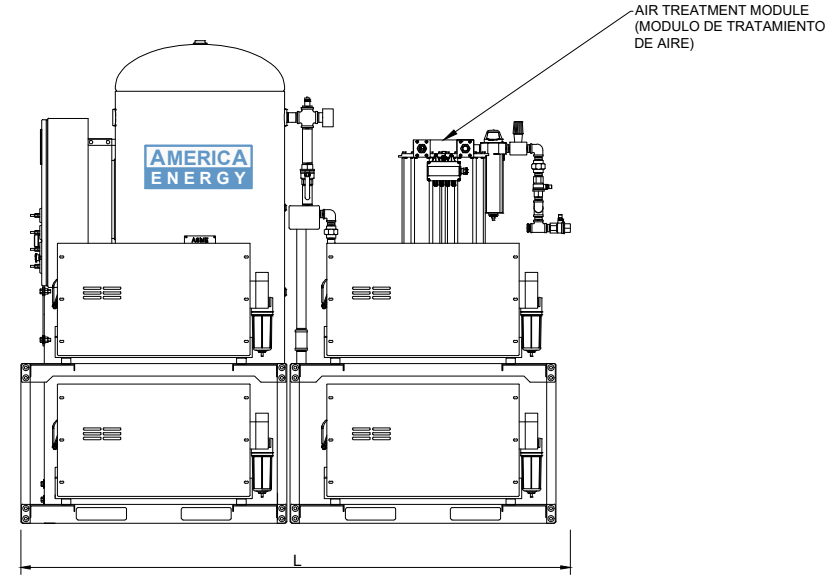
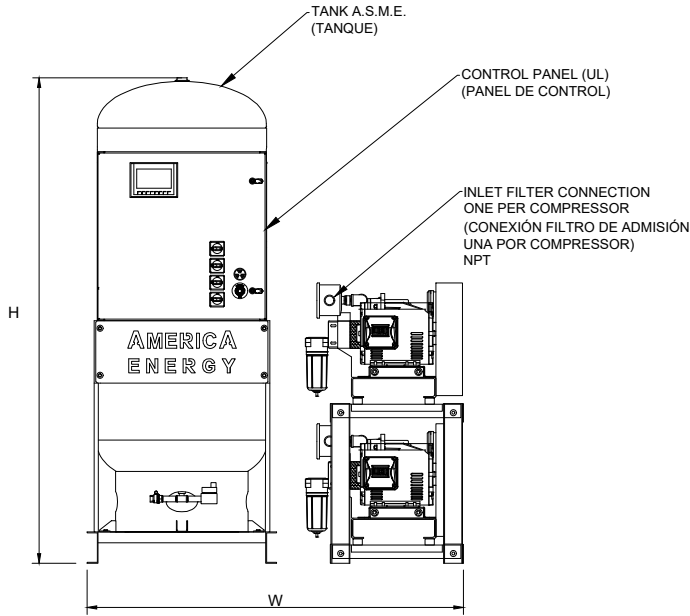
NOTAS:

1. Espacio mínimo alrededor del equipo 36 inch / 90 cms para garantizar adecuada ventilación y mantenimiento.
2. Torque recomendado de apriete para terminales de cables:
Cables de 208 V a 460 V: 35 Lbs/in²
Cables 115 V: 20 Lbs/in²
3. Temperatura ambiente de operación MAX: 105 °F / 40°C.
4. Las mangueras flexibles se envían sueltas.
5. Información sujeta a cambios sin previo aviso.



TANK CAP.	H	WEIGHT
Gal	in	Lbs
Lts	mm	Kgr
120	T.V	T.V
454	T.V	T.V
200	89	T.V + 180
757	2261	T.V + 82
240	100	T.V + 240
908	2540	T.V + 109

T.V: TABLE VALUE / VALOR DE TABLA



MODEL	HP	CONN.		TANK SIZE	CONF	PUMP FLOW		SYSTEM NFPA FLOW				PUMP AMP					BTU/hr	SOUND LEVEL	DIMENSION			WEIGHT		
		IN	OUT			each module	ONE PUMP STANBY		TOTAL SYSTEM AMP					L	W	H								
							cfm	m3/hr	@ 50 psig	@ 100 psig	50 Hz	60 Hz												
		NPT	NPT			Gal	50 Hz	60 Hz	50 Hz	60 Hz	50 Hz	60 Hz	190V	380V	208V	230V			400V	460V	in		in	in
		in	in			Lts	50 Hz	60 Hz	50 Hz	60 Hz	50 Hz	60 Hz	190V	380V	208V	230V			400V	460V	mm		mm	mm
																		Kgr						
AES-O50Q-120-S-NNX	5.0	1-1/4	1-1/4	120	S	17.2	17.2	51.6	51.6	48.9	48.9	15.4	7.7	14.0	12.7	7.3	6.3	38201	79	102	69	84	2320	
	3.7			454		29.2	29.2	87.7	87.7	83.1	83.1	61.6	30.8	56.0	50.8	29.2	25.2	2591	1753	2134	1,052			
AES-O75Q-120-S-NNX	7.5	1-1/4	1-1/4	120	S	25.2	25.2	75.6	75.6	72.6	72.6	21.4	10.7	19.2	17.3	-	8.7	57301	79	102	69	84	2620	
	5.6			454		42.8	42.8	128.5	128.5	123.4	123.4	85.6	42.8	76.8	69.2	-	34.8	2591	1753	2134	1,188			
AES-O100MQ-120-S-NNX	10.0	1-1/4	1-1/4	120	S	34.4	34.4	103.2	103.2	97.8	97.8	29.0	14.5	26.5	24.0	-	12.0	76401	79	102	69	84	2820	
	7.5			454		58.5	58.5	175.4	175.4	166.3	166.3	116.0	58.0	106.0	96.0	-	48.0	2591	1753	2134	1,279			

X = CONTROL PANEL TYPE (T: TOUCH SCREEN / TW: TOUCH SCREEN & WEB COMMUNICATION)

AMERICA ENERGY, INC
Right Solution for Compressed Air & Vacuum Systems
www.america-energy.com

TITLE: DIMENSIONAL DRAWING MEDICAL AIR SYSTEM
SCROLL 5HP_10HP QUADRUPLEX

DRAWING: J.E. DATE: 09-SEP-2019 DWG No DD-AES-O50_100MQ-S-NNXDrev2
DESIGN: A.A. SCALE: S/E
CHECKED: A.A. SHEET: 1/1

THIS INFORMATION IS PROPERTY OF AMERICA ENERGY, INC. AND MAY NOT BE GIVEN TO ANY OTHER PARTY WITHOUT THE CONSENT OF AMERICA ENERGY, INC.