

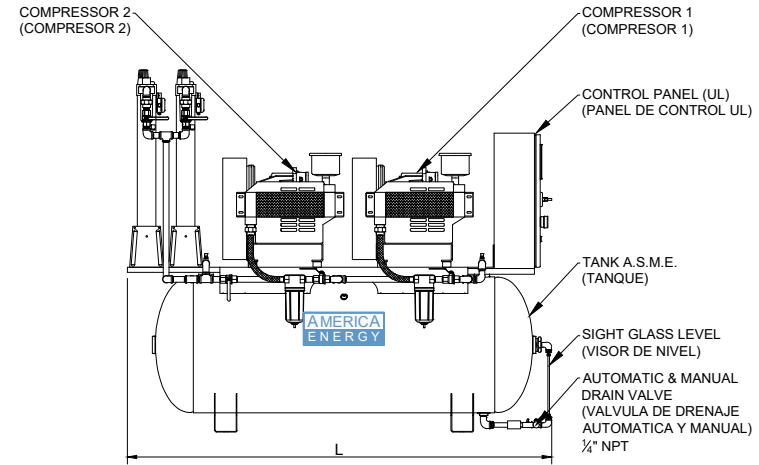
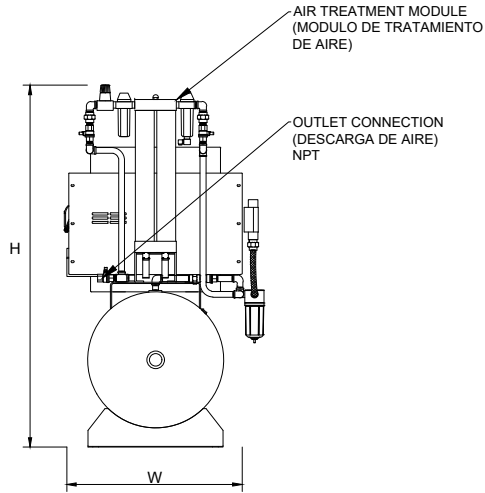
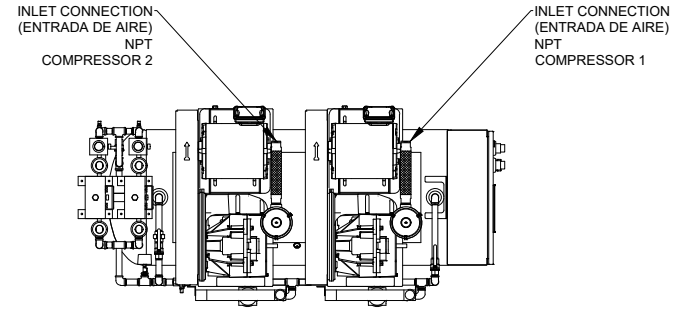
REVISION		
REV	DATE	DESCRIPTION
1	25-JUN-2019	FIRST EDITION
2	29-JAN-2020	UPDATE TABLE VALUES

**NOTES:**

1. Min. Clearance on all sides must be 36 inch / 90 cms, for proper ventilation and maintenance.
2. Recommended tight torques for wires terminals:  
208 to 460 Volt wire: 35 Lbs/in<sup>2</sup>  
115 Volt wires: 20 Lbs/in<sup>2</sup>.
3. Normal operation ambient temperature MAX 105°F/40°C.
4. Flex connctors will be shipped loose.
5. Information subject to change without notice.


**NOTAS:**

1. Espacio mínimo alrededor del equipo 36 inch / 90 cms para garantizar adecuada ventilación y mantenimiento.
2. Torque recomendado de apriete para terminales de cables:  
Cables de 208 V a 460 V: 35 Lbs/in<sup>2</sup>  
Cables 115 V: 20 Lbs/in<sup>2</sup>
3. Temperatura ambiente de operación MAX: 105 °F / 40°C.
4. Las mangueras flexibles se envían sueltas.
5. Información sujeta a cambios sin previo aviso.



MODEL	HP KW	CONN.		TANK SIZE Gal Lts	CONF	PUMP FLOW (each module)		SYSTEM NFPA FLOW ONE PUMP STANBY				PUMP AMP TOTAL SYSTEM AMP					BTU/hr	SOUND LEVEL Db (A)	DIMENSION			WEIGHT	
		IN	OUT			cfm m3/hr		cfm m3/hr		50 Hz		60 Hz			L in mm	W in mm			H in mm	Lbs Kgr			
						NPT in	NPT in	@ 50 psig	@ 100 psig	50 Hz	60 Hz	190V	380V	208V							230V		400V
		50 Hz	60 Hz			50 Hz	60 Hz	50 Hz	60 Hz	50 Hz	60 Hz	50 Hz	60 Hz	50 Hz	60 Hz								
AES-O30D-120-H-NNX	3.0	1-1/4	1/2"	120	H	10.4	10.4	10.4	10.4	10.1	10.1	9.1	4.5	8.5	7.7	4.4	3.9	7640	73	82	35	72	1040
	2.2			454		17.7	17.7	17.7	17.7	17.2	17.2	18.2	9	17	15.4	8.8	7.8			2083	889	1829	472
AES-O50D-120-H-NNX	5.0	1-1/4	1/2"	120	H	17.2	17.2	17.2	17.2	16.3	16.3	15.4	7.7	14	12.7	7.3	6.3	12734	75	82	35	67	1070
	3.7			454		29.2	29.2	29.2	29.2	27.7	27.7	30.8	15.4	28	25.4	14.6	12.6			2083	889	1702	485
AES-O75D-120-H-NNX	7.5	1-1/4	1/2"	120	H	25.2	25.2	25.2	25.2	24.2	24.2	21.4	10.7	19.2	17.3	-	8.7	19100	75	82	35	77	1150
	5.6			454		42.8	42.8	42.8	42.8	41.1	41.1	42.8	21.4	38.4	34.6	-	17.3			2083	889	1956	522
AES-O100MD-120-H-NNX	10.0	1-1/4	1/2"	120	H	34.4	34.4	34.4	34.4	32.6	32.6	29.0	14.5	26.5	24.0	-	12.0	25467	75	82	35	70	1275
	7.5			454		58.5	58.5	58.5	58.5	55.4	55.4	58.0	29.0	53.0	48.0	-	24.0			2083	889	1778	578

X = CONTROL PANEL TYPE (E: ELECTRONIC / T: TOUCH SCREEN / TW: TOUCH SCREEN & WEB COMMUNICATION)



**AMERICA ENERGY, INC**  
Right Solution for Compressed Air & Vacuum Systems  
www.america-energy.com

TITLE: DIMENSIONAL DRAWING MEDICAL AIR SYSTEM  
SCROLL HORIZONTAL DUPLEX

DRAWING: S.N.	DATE: 29-JAN-2020	DWG No	DD-AES-O30_100MD-120-H-NNX-Arev2
DESIGN: A.A.	SCALE: S/E	THIS INFORMATION IS PROPERTY OF AMERICA ENERGY, INC. AND MAY NOT BE GIVEN TO ANY OTHER PARTY WITHOUT THE CONSENT OF AMERICA ENERGY, INC.	
CHECKED: A.A.	SHEET: 1/1		