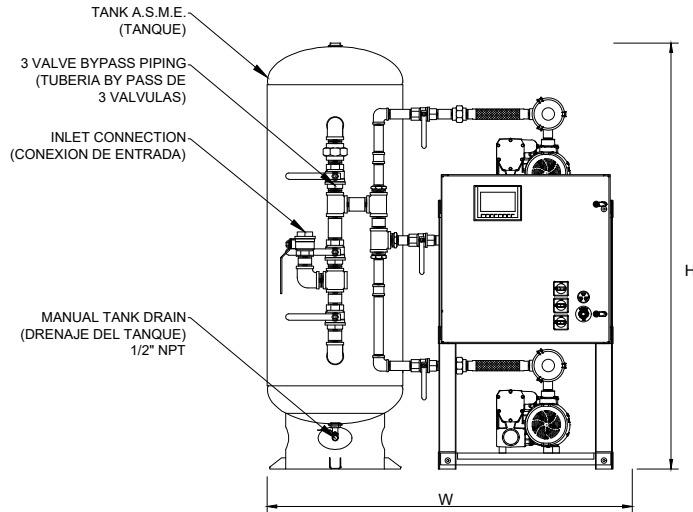
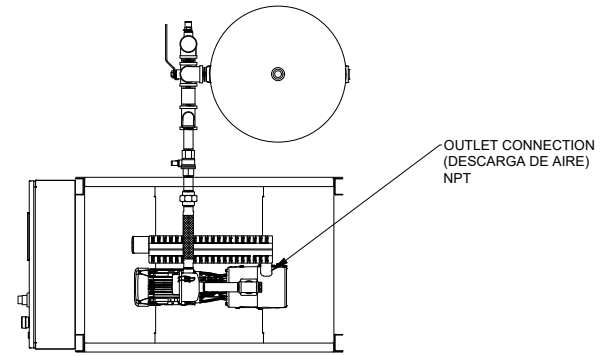


REVISION		
REV	DATE	DESCRIPTION
1	20-MAR-2020	FIRST EDITION

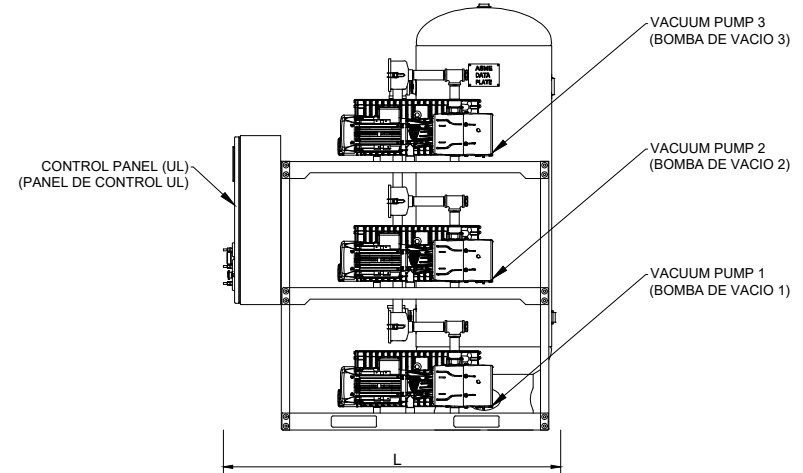
- NOTES:
- Min. Clearance on all sides must be 36 inch / 90 cms, for proper ventilation and maintenance.
 - Recommended tight torques for wires terminals:
208 to 460 Volt wire: 35 Lbs/in²
115 Volt wires: 20 Lbs/in².
 - Normal operation ambient temperature MAX 105°F/40°C.
 - Flex connctors will be shipped loose.
 - Information subject to change without notice.

- NOTAS:
- Espacio mínimo alrededor del equipo 36 inch / 90 cms para garantizar adecuada ventilación y mantenimiento.
 - Torque recomendado de apriete para terminales de cables:
Cables de 208 V a 460 V: 35 Lbs/in²
Cables 115 V: 20 Lbs/in²
 - Temperatura ambiente de operación MAX: 105 °F / 40°C.
 - Las mangueras flexibles se envían sueltas.
 - Información sujeta a cambios sin previo aviso.



TANK CAP.	H	WEIGHT
Gal	in	Lbs
Lts	mm	Kgr
120	T.V	T.V
454	T.V	T.V
200	82	T.V + 180
757	2083	T.V + 82
240	95	T.V + 240
908	2413	T.V + 109

T.V: TABLE VALUE / VALOR DE TABLA



MODEL	HP 60 Hz	CONN.		TANK SIZE Gal Lts	CONF	PUMP FLOW (each module) acfm m3/hr		SYSTEM NFPA FLOW ONE PUMP STANDBY scfm m3/hr				PUMP AMP TOTAL SYSTEM AMP					BTU/hr	SOUND LEVEL Db (A)	DIMENSION			WEIGHT Lbs Kgr							
		IN NPT in	OUT NPT in			50 Hz	60 Hz	50 Hz	60 Hz	190V	380V	208V	230V	400V	460V	50 Hz			60 Hz	L in mm	W in mm		H in mm						
																								50 Hz	60 Hz	50 Hz	60 Hz	50 Hz	60 Hz
																								50 Hz	60 Hz	50 Hz	60 Hz	50 Hz	60 Hz
AEV-L30T-120-S-NNX	3.0	2	1-1/4	120	S	40.0	48.0	29.2	35.0	7.0	3.5	8.6	7.8	-	3.9	12734	67	63	66	79	1475								
	1.9			454		68.0	81.6	49.6	59.5	21.1	10.6	25.9	23.4	-	11.7	15280	69	1600	1676	2007	669								
AEV-L50T-120-S-NNX	5.0	2	1-1/4	120	S	58.8	70.6	43.0	51.6	11.8	5.9	15.9	14.4	-	7.2	21223	67	63	66	79	1524								
	3.1			454		100.0	120.0	73.1	87.7	35.4	17.7	47.7	43.2	-	21.6	25467	69	1600	1676	2007	691								

X = CONTROL PANEL TYPE (E: ELECTRONIC / T: TOUCH SCREEN / TW: TOUCH SCREEN & WEB COMMUNICATION)

AMERICA ENERGY, INC
Right Solution for Compressed Air & Vacuum Systems
www.america-energy.com

TITLE: DIMENSIONAL DRAWING MEDICAL VACUUM SYSTEM VANE LUB 3HP TO 5HP TRIPLEX STACK

DRAWING: DATE: 20-MAR-2020 DWG No DD-AEV-L30_50T-120_240-S-NNXrev1
S.N. SCALE: S/E
DESIGN: A.A. SHEET: 1/1
CHECKED: A.A.

THIS INFORMATION IS PROPERTY OF AMERICA ENERGY, INC. AND MAY NOT BE GIVEN TO ANY OTHER PARTY WITHOUT THE CONSENT OF AMERICA ENERGY, INC.