

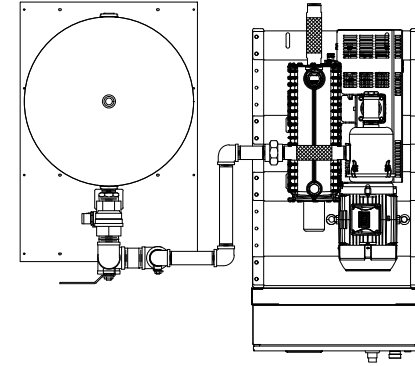
REVISION		
REV	DATE	DESCRIPTION
1	03-DEC-2019	FIRST EDITION
2	15-MAY-2020	DRAWING UPDATE
3	27-JAN-2021	3 LEVELS BASE

NOTES:

1. Min. Clearance on all sides must be 36 inch / 90 cms, for proper ventilation and maintenance.
2. Recommended tight torques for wires terminals:
208 to 460 Volt wire: 35 Lbs/in²
115 Volt wires: 20 Lbs/in².
3. Normal operation ambient temperature MAX 105°F/40°C.
4. Flex connctors will be shipped loose.
5. Information subject to change without notice.

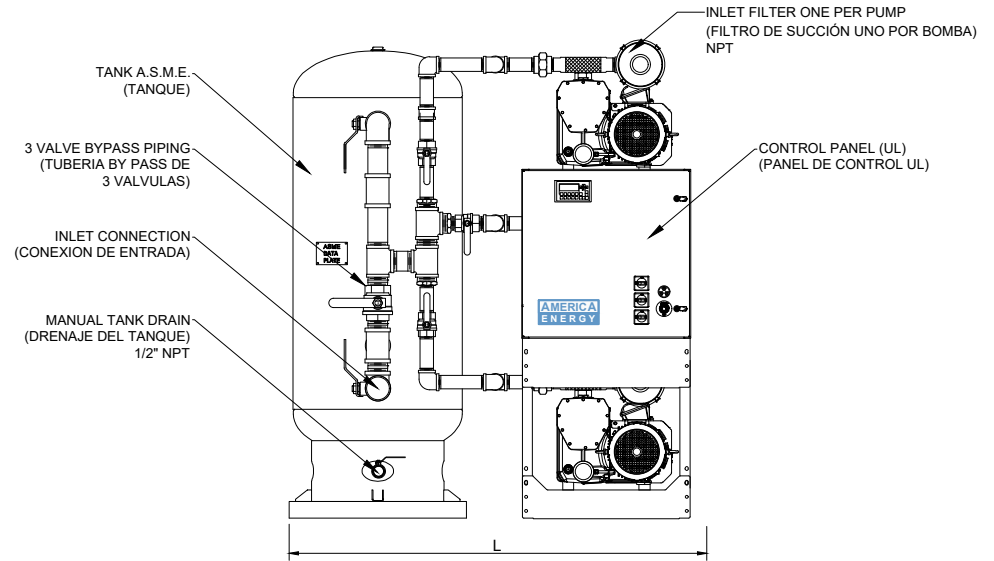
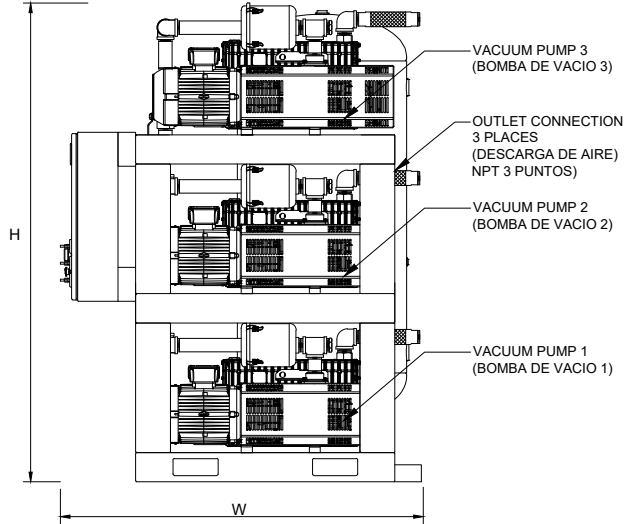
NOTAS:

1. Espacio mínimo alrededor del equipo 36 inch / 90 cms para garantizar adecuada ventilación y mantenimiento.
2. Torque recomendado de apriete para terminales de cables:
Cables de 208 V a 460 V: 35 Lbs/in²
Cables 115 V: 20 Lbs/in²
3. Temperatura ambiente de operación MAX: 105 °F / 40°C.
4. Las mangueras flexibles se envían sueltas.
5. Información sujeta a cambios sin previo aviso.



TANK CAP.	H	WEIGHT
Gal	in	Lbs
Lts	mm	Kgr
200	T.V.	T.V.
757	T.V.	T.V.
240	96	T.V + 240
908	2438	T.V + 109

T.V: TABLE VALUE / VALOR DE TABLA



MODEL	HP 60 Hz	CONN.		TANK SIZE Gal	CONF	PUMP FLOW (each module)		SYSTEM NFPA FLOW ONE PUMP STANDBY		PUMP AMP TOTAL SYSTEM AMP						BTU/hr	SOUND LEVEL Db (A)	DIMENSION			WEIGHT Lbs						
		kW	IN NPT			OUT NPT	Gal Lts	acfm m3/hr	scfm m3/hr	@19 inHg		TOTAL SYSTEM AMP						50 Hz	50 Hz	L		W	H				
										50 Hz	60 Hz	50 Hz	60 Hz	190V	380V									208V	230V	400V	460V
										50 Hz	60 Hz	50 Hz	60 Hz	50 Hz	60 Hz									50 Hz	60 Hz	mm	mm
AEV-L50HT-200-S-NNX...	5.0	3	2	200	S	85.8	103.0	63.3	76.0	-	7.7	14.3	12.9	-	6.5	21,222	72	80	66	88	2,115						
	3.7			757		145.9	175.1	107.7	129.2	-	23.1	42.9	38.7	-	19.5	25,466	74	2,039	1,676	2,235	959						
AEV-L75T-200-S-NNX...	7.5	3	2	200	S	117.8	141.3	86.0	103.2	17.1	8.5	20.1	18.1	-	9.1	31,834	73	80	66	88	2,540						
	4.0			757		200.2	240.2	146.2	175.4	51.3	25.6	60.3	54.3	-	27.2	38,201	79	2,039	1,676	2,235	1,152						
AEV-L100T-200-S-NNX...	10	3	2	200	S	176.5	211.8	128.8	154.6	23.5	11.8	27.4	24.7	-	12.4	42,445	74	80	66	88	2,700						
	5.5			757		300.0	360.0	219.0	262.8	70.5	35.4	82.2	74.1	-	37.2	50,934	78	2,039	1,676	2,235	1,225						

X = CONTROL PANEL TYPE (E: ELECTRONIC / T: TOUCH SCREEN / TW: TOUCH SCREEN & WEB COMMUNICATION)



AMERICA ENERGY, INC

Right Solution for Compressed Air & Vacuum Systems
www.america-energy.com

TITLE: DIMENSIONAL DRAWING MEDICAL VACUUM SYSTEM LUBRICATED ROTARY VANE 5H TO 10HP TRIPLEX

DRAWING: S.N	DATE: 27-JAN-2021	DWG No	DD-AEV-L50H_100T-200_240-S-NNX REV3
DESIGN: A.A	SCALE: S/E	THIS INFORMATION IS PROPERTY OF AMERICA ENERGY, INC. AND MAY NOT BE GIVEN TO ANY OTHER PARTY WITHOUT THE CONSENT OF AMERICA ENERGY, INC.	
CHECKED: A.A	SHEET: 1/1		