

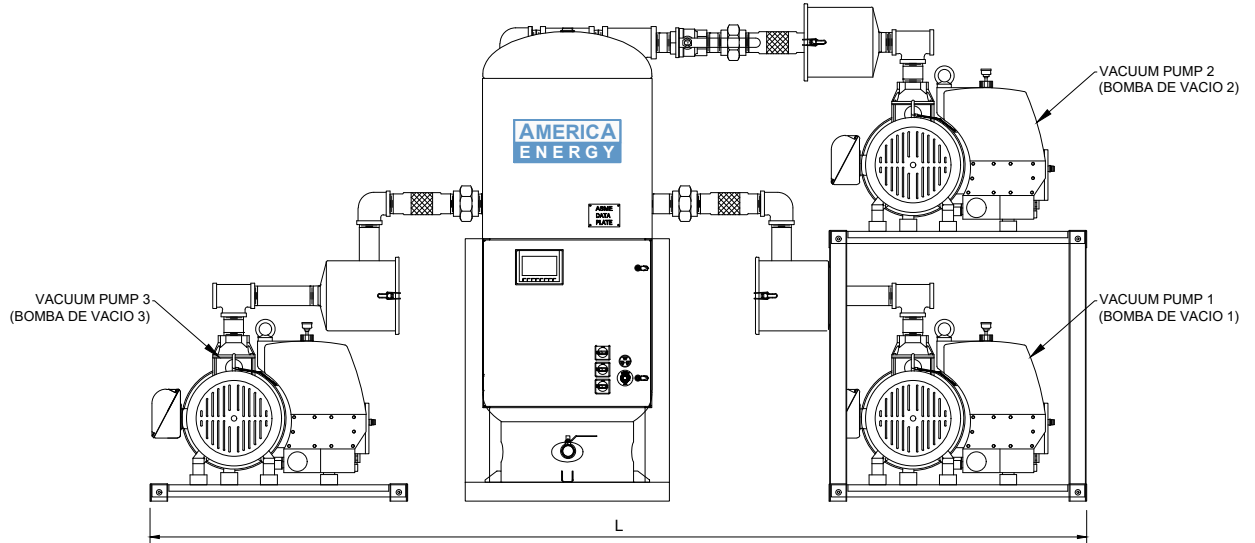
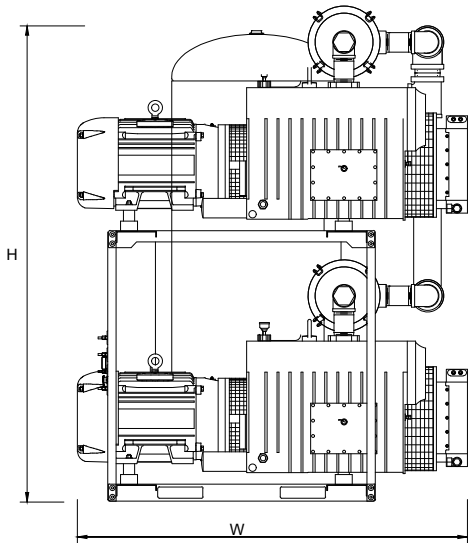
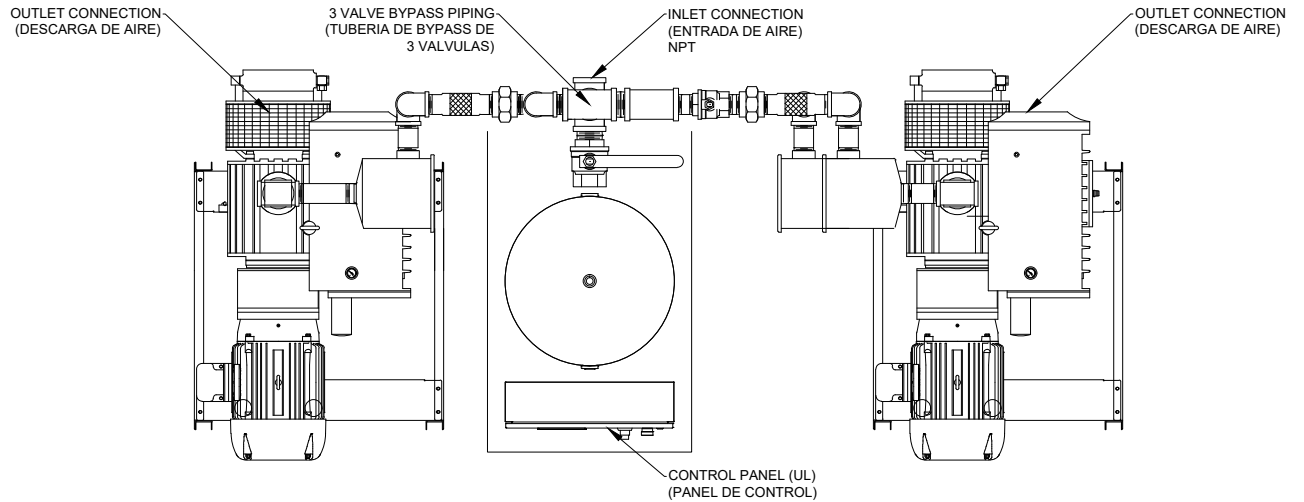
REVISION		
REV	DATE	DESCRIPTION
1	24-APR-2020	FIRST EDITION
2	14-JUL-2020	TABLE UPDATE

NOTES:

1. Min. Clearance on all sides must be 36 inch / 90 cms, for proper ventilation and maintenance.
2. Recommended tight torques for wires terminals:
208 to 460 Volt wire: 35 Lbs/in²
115 Volt wires: 20 Lbs/in².
3. Normal operation ambient temperature MAX 105°F/40°C.
4. Flex connctors will be shipped loose.
5. Information subject to change without notice.

NOTAS:

1. Espacio mínimo alrededor del equipo 36 inch / 90 cms para garantizar adecuada ventilación y mantenimiento.
2. Torque recomendado de apriete para terminales de cables:
Cables de 208 V a 460 V: 35 Lbs/in²
Cables 115 V: 20 Lbs/in²
3. Temperatura ambiente de operación MAX: 105 °F / 40°C.
4. Las mangueras flexibles se envían sueltas.
5. Información sujeta a cambios sin previo aviso.



MODEL	HP 60 Hz kW 50 Hz	CONN.		TANK SIZE Gal Lts	CONF	PUMP FLOW (each module)		SYSTEM NFPA FLOW ONE PUMP STANDBY		PUMP AMP TOTAL SYSTEM AMP						BTU/hr	SOUND LEVEL Db (A)	DIMENSION			WEIGHT Lbs Kgr	
		IN NPT in	OUT NPT in			acfm m3/hr	scfm m3/hr	@19 inHg						50 Hz	50 Hz			60 Hz	in	in		in
								50 Hz	60 Hz	50 Hz	60 Hz	190V	380V									
		50 Hz	60 Hz			50 Hz	60 Hz	50 Hz	60 Hz	50 Hz	60 Hz	50 Hz	60 Hz	50 Hz	60 Hz			mm	mm	mm		Kgr
AEV-L150T-200-S-NNX...	15	4	3	200	S	254.2	305.0	185.0	222.0	44.6	22.3	40.4	38.8	21.5	19.4	63,665	82	145	80	85	5,080	
	11.2			432.1		518.5	314.5	377.4	133.8	66.9	121.2	116.4	64.5	58.2	76,398	83	3,683	2,032	2,489	2,304		
AEV-L200T-200-S-NNX...	20	4	3	200	S	312.5	375.0	228.3	274.0	56.0	28.0	54.0	52.0	28.0	26.0	84,887	83	145	80	85	5,680	
	14.9			513.6		637.5	388.2	465.8	168.0	84.0	162.0	156.0	84.0	78.0	101,864	85	3,683	2,032	2,489	2,576		
AEV-L250T-200-S-NNX...	25	4	3	200	S	379.2	455.0	276.7	332.0	62.0	31.0	68.0	62.0	-	31.0	106,108	86	145	80	85	6,400	
	18.5			644.6		773.5	470.3	561.4	186.0	93.0	204.0	186.0	-	93.0	127,330	88	3,683	2,032	2,489	2,903		

TANK CAP.	H	WEIGHT
Gal	in	Lbs
Lts	mm	Kgr
200	T.V	T.V
757	T.V	T.V
240	98	T.V + 240
908	2489	T.V + 109

T.V: TABLE VALUE / VALOR DE TABLA



AMERICA ENERGY, INC

Right Solution for Compressed Air & Vacuum Systems
www.america-energy.com

TITLE: DIMENSIONAL DRAWING MEDICAL VACUUM SYSTEM
LUBE VANE 15HP- 25HP TRIPLEX

DRAWING: S.N.	DATE: 14-JUL-2020	DWG No	DD-AEV-L150_250T-200_240-S-NNXrev2
DESIGN: A.A.	SCALE: S/E	THIS INFORMATION IS PROPERTY OF AMERICA ENERGY, INC. AND MAY NOT BE GIVEN TO ANY OTHER PARTY WITHOUT THE CONSENT OF AMERICA ENERGY, INC.	
CHECKED: A.A.	SHEET: 1/1		

X = CONTROL PANEL TYPE (E: ELECTRONIC / T: TOUCH SCREEN / TW: TOUCH SCREEN & WEB COMMUNICATION)