

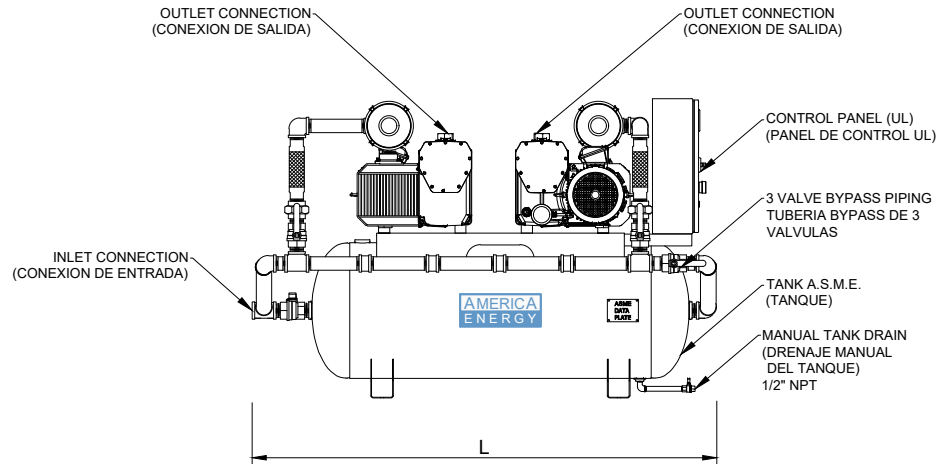
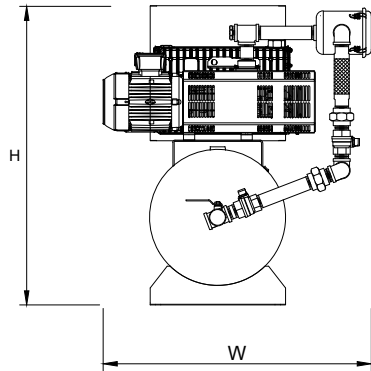
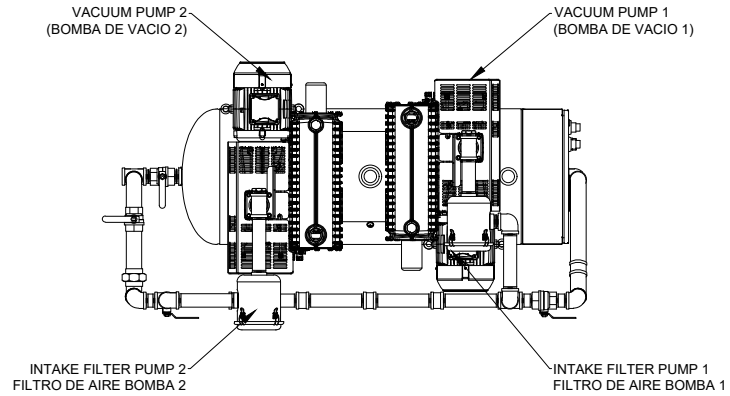
REVISION		
REV	DATE	DESCRIPTION
1	09-APR-2020	FIRST EDITION

NOTES:

1. Min. Clearance on all sides must be 36 inch / 90 cms, for proper ventilation and maintenance.
2. Recommended tight torques for wires terminals:
208 to 460 Volt wire: 35 Lbs/in²
115 Volt wires: 20 Lbs/in².
3. Normal operation ambient temperature MAX 105°F/40°C.
4. Flex connctors will be shipped loose.
5. Information subject to change without notice.


NOTAS:

1. Espacio mínimo alrededor del equipo 36 inch / 90 cms para garantizar adecuada ventilación y mantenimiento.
2. Torque recomendado de apriete para terminales de cables:
Cables de 208 V a 460 V: 35 Lbs/in²
Cables 115 V: 20 Lbs/in²
3. Temperatura ambiente de operación MAX: 105 °F / 40°C.
4. Las mangueras flexibles se envían sueltas.
5. Información sujeta a cambios sin previo aviso.



MODEL	HP 60 Hz	CONN.		TANK SIZE Gal Lts	CONF	PUMP FLOW (each module)		SYSTEM NFPA FLOW ONE PUMP STANDBY		PUMP AMP TOTAL SYSTEM AMP						BTU/hr	SOUND LEVEL Db (A)	DIMENSION			WEIGHT Lbs Kgr							
		IN NPT in	OUT NPT in			acfm m3/hr	scfm m3/hr	@19 inHg		50 Hz				60 Hz				L in mm	W in mm	H in mm								
								50 Hz	60 Hz	50 Hz	60 Hz	190V	380V	208V	230V							400V	460V	50 Hz	60 Hz			
		AEV-L50HD-120-H-NNX	5.0			2	2	120	H	85.8	103.0	31.7	38.0	-	7.7			14.3	12.9	-		6.5	10611	72	85	45	60	1150
			3.7					454		145.9	175.1	53.9	64.6	-	15.4			28.6	25.8	-		13.0	12733	74	2159	1143	1524	522
AEV-L75D-120-H-NNX	7.5	2	2	120	H	117.7	141.3	43.0	51.6	17.1	8.5	20.1	18.1	-	9.1	15916	73	85	50	60	1415							
	4.0			454		200.1	240.2	73.1	87.7	34.2	17.0	40.2	36.2	-	18.2	19100	79	2159	1270	1524	642							
AEV-L100D-120-H-NNX	10	2	2	120	H	176.5	211.8	64.4	77.3	23.5	11.8	27.4	24.7	-	12.4	21216	74	85	56	60	1521							
	5.5			454		300.0	360.0	109.5	131.4	47.0	23.6	54.8	49.4	-	24.8	25460	78	2159	1422	1524	690							

X = CONTROL PANEL TYPE (E: ELECTRONIC / T: TOUCH SCREEN / TW: TOUCH SCREEN & WEB COMMUNICATION)



AMERICA ENERGY, INC
Right Solution for Compressed Air & Vacuum Systems
www.america-energy.com

TITLE: DIMENSIONAL DRAWING MEDICAL VACUUM SYSTEM VANE LUB 5 HP HIGH CAP., 7.5 HP & 10 HP DUPLEX

DRAWING: S.N.	DATE: 09-APR-2020	DWG No	AEV-L50H_100D-120-H-NNXrev1
DESIGN: A.A.	SCALE: S/E	THIS INFORMATION IS PROPERTY OF AMERICA ENERGY, INC. AND MAY NOT BE GIVEN TO ANY OTHER PARTY WITHOUT THE CONSENT OF AMERICA ENERGY, INC.	
CHECKED: A.A.	SHEET: 1/1		