

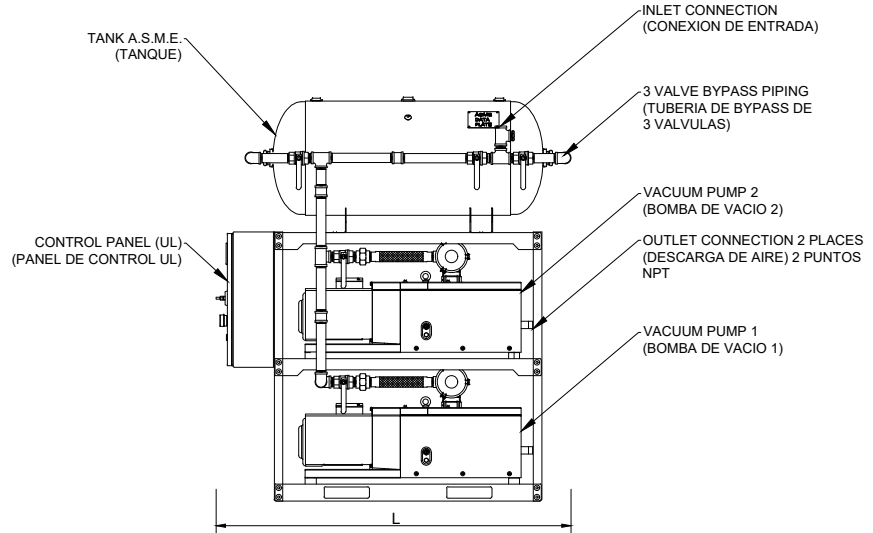
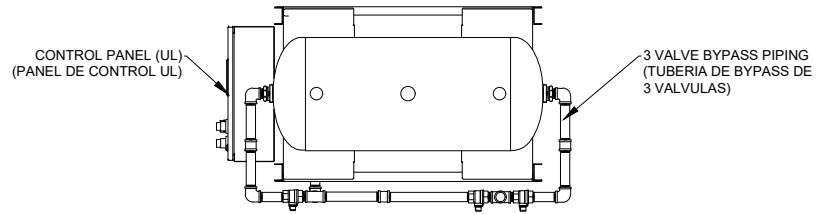
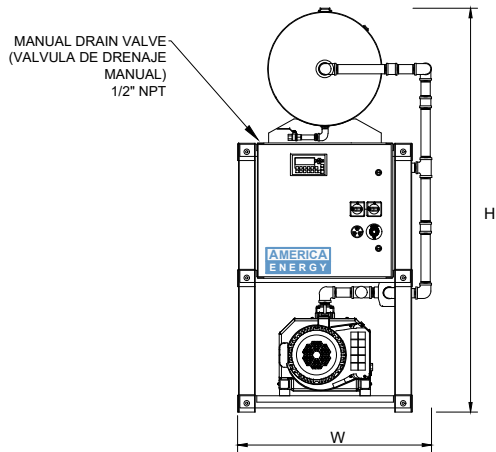
REVISION		
REV	DATE	DESCRIPTION
1	04-MAR-2020	FIRST EDITION
2	25-MAR-2020	VALVE LOCATION
3	01-JUL-2020	DESCRIPTION

NOTES:

1. Min. Clearance on all sides must be 36 inch / 90 cms, for proper ventilation and maintenance.
2. Recommended tight torques for wires terminals:
208 to 460 Volt wire: 35 Lbs/in²
115 Volt wires: 20 Lbs/in².
3. Normal operation ambient temperature MAX 105°F/40°C.
4. Flex connctors will be shipped loose.
5. Information subject to change without notice.

NOTAS:

1. Espacio mínimo alrededor del equipo 36 inch / 90 cms para garantizar adecuada ventilación y mantenimiento.
2. Torque recomendado de apriete para terminales de cables:
Cables de 208 V a 460 V: 35 Lbs/in²
Cables 115 V: 20 Lbs/in²
3. Temperatura ambiente de operación MAX: 105 °F / 40°C.
4. Las mangueras flexibles se envían sueltas.
5. Información sujeta a cambios sin previo aviso.



MODEL	HP 60 Hz	CONN.		TANK SIZE	CONF	PUMP FLOW		SYSTEM NFPA FLOW		PUMP AMP					BTU/hr	SOUND LEVEL	DIMENSION			WEIGHT											
		kW	IN NPT			OUT NPT	Gal Lts	acfm	scfm	ONE PUMP STANDBY		TOTAL SYSTEM AMP					50 Hz	50 Hz	L		W	H	Lbs								
										@19 inHg		50 Hz		60 Hz										50 Hz	50 Hz	in	in	in	Kgr		
										50 Hz	60 Hz	50 Hz	60 Hz	190V																380V	208V
AEC-O20D-60-HS-NNX...	2.0	1-1/4	1	60	HS	36.7	44.0	13.3	16.0	5.2	2.6	5.6	5.6	2.8	2.8	4245	66	68	35	75	1480										
	1.2			227		62.3	74.8	22.7	27.2	10.4	5.2	11.2	11.2	5.6	5.6	5093	70	1727	889	1905	671										
AEC-O30D-60-HS-NNX...	3.0	1-1/4	1	60	HS	47.5	57.0	17.5	21.0	7.6	3.8	8.6	8.4	4.3	4.2	6367	66	68	35	75	1500										
	1.9			227		80.8	96.9	29.8	35.7	15.2	7.6	17.2	16.8	8.6	8.4	7640	70	1727	889	1905	680										
AEC-O40D-60-HS-NNX...	4.0	1-1/4	1	60	HS	65.8	79.0	24.2	29.0	10.0	5.0	10.0	9.2	5.0	4.6	8489	75	68	35	75	1500										
	2.5			227		111.9	134.3	41.1	49.3	20.0	10.0	20.0	18.4	10.0	9.2	10187	79	1727	889	1905	680										
AEC-O50D-60-HS-NNX...	5.0	1-1/4	1	60	HS	85.8	103.0	31.7	38.0	10.2	5.1	12.6	11.4	6.3	5.7	10611	75	68	35	75	1500										
	3.1			227		145.9	175.1	53.8	64.6	20.4	10.2	25.2	22.8	12.6	11.4	12734	79	1727	889	1905	680										

X = CONTROL PANEL TYPE (E: ELECTRONIC / T: TOUCH SCREEN / TW: TOUCH SCREEN & WEB COMMUNICATION)



AMERICA ENERGY, INC

Right Solution for Compressed Air & Vacuum Systems
www.america-energy.com

TITLE: DIMENSIONAL DRAWING MEDICAL VACUUM SYSTEM
CLAW 2HP TO 5HP DUPLEX HZTAL. STACK

DRAWING: S.N.	DATE: 01-JUL-2020	DWG No	DD-AEC-O20_50D-60-HS-NNXrev3
DESIGN: A.A.	SCALE: S/E	THIS INFORMATION IS PROPERTY OF AMERICA ENERGY, INC. AND MAY NOT BE GIVEN TO ANY OTHER PARTY WITHOUT THE CONSENT OF AMERICA ENERGY, INC.	
CHECKED: A.A.	SHEET: 1/1		