

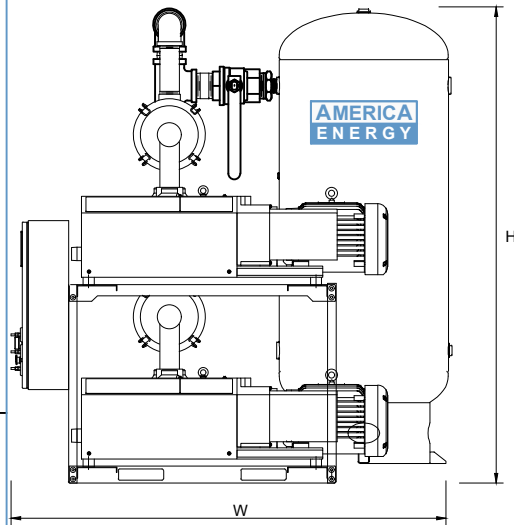
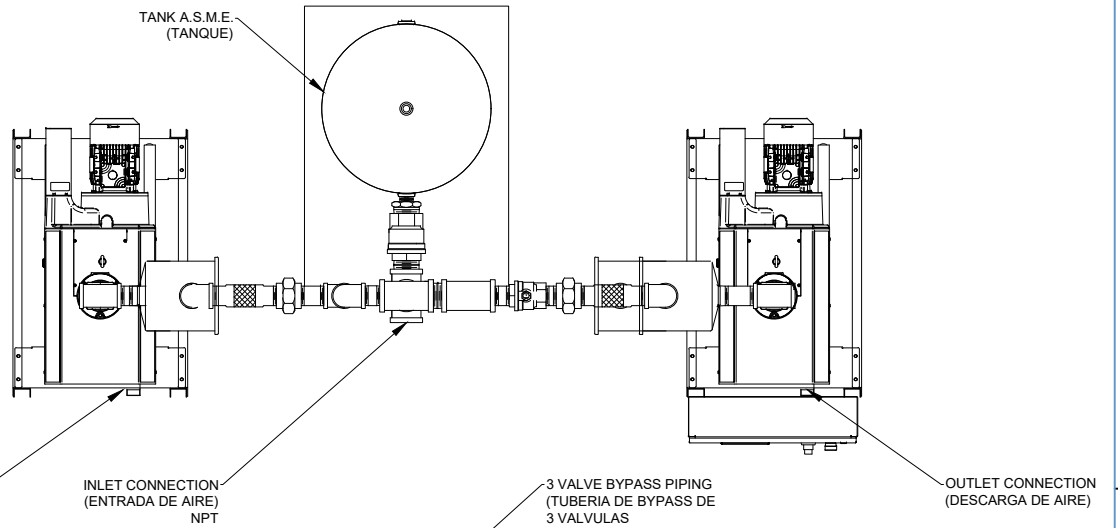
REVISION		
REV	DATE	DESCRIPTION
1	12-FEB-2020	FIRST EDITION

**NOTES:**

1. Min. Clearance on all sides must be 36 inch / 90 cms, for proper ventilation and maintenance.
2. Recommended tight torques for wires terminals:  
208 to 460 Volt wire: 35 Lbs/in<sup>2</sup>  
115 Volt wires: 20 Lbs/in<sup>2</sup>.
3. Normal operation ambient temperature MAX 105°F/40°C.
4. Flex connctors will be shipped loose.
5. Information subject to change without notice.

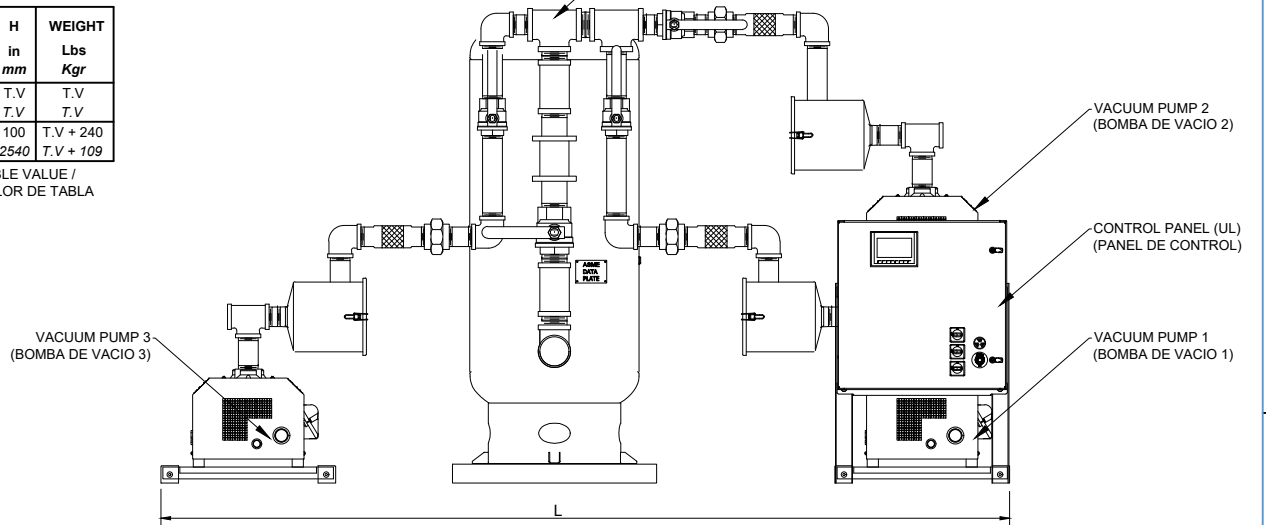
**NOTAS:**

1. Espacio mínimo alrededor del equipo 36 inch / 90 cms para garantizar adecuada ventilación y mantenimiento.
2. Torque recomendado de apriete para terminales de cables:  
Cables de 208 V a 460 V: 35 Lbs/in<sup>2</sup>  
Cables 115 V: 20 Lbs/in<sup>2</sup>
3. Temperatura ambiente de operación MAX: 105 °F / 40°C.
4. Las mangueras flexibles se envían sueltas.
5. Información sujeta a cambios sin previo aviso.



TANK CAP.	H	WEIGHT
Gal	in	Lbs
Lts	mm	Kgr
200	T.V	T.V
757	T.V	T.V
240	100	T.V + 240
908	2540	T.V + 109

T.V: TABLE VALUE / VALOR DE TABLA



MODEL	HP 60 Hz	CONN.		TANK SIZE Gal Lts	CONF	PUMP FLOW (each module)		SYSTEM NFPA FLOW ONE PUMP STANDBY		PUMP AMP TOTAL SYSTEM AMP					BTU/hr	SOUND LEVEL Db (A)	DIMENSION			WEIGHT Lbs Kgr	
		kW	IN			OUT	acfm	scfm	50 Hz		60 Hz		50 Hz	60 Hz			L	W	H		
			NPT			NPT			m3/hr	m3/hr	50 Hz	60 Hz									in
		50 Hz	in			in	m3/hr	@19 inHg	50 Hz	60 Hz	50 Hz	60 Hz	50 Hz	60 Hz			mm	mm	mm		Kgr
AEC-O100T-200-S-NNX...	10	4	2	200	S	230.8	277.0	168.5	202.2	21.0	10.5	-	23.6	-	11.8	42,443	83	130	80	91	3,650
	7.5			757		392.4	470.9	286.5	343.7	63.0	31.5	-	70.8	-	35.4	50,932	87	3,302	2,032	2,311	1,656
AEC-O150T-200-S-NNX...	15	4	2	200	S	294.2	353.0	215.0	258.0	29.0	14.5	-	35.0	-	17.5	63,665	84	130	80	91	3,750
	11.2			757		500.0	600.1	365.5	438.6	87.0	43.5	-	105.0	-	52.5	76,398	88	3,302	2,032	2,311	1,701

X = CONTROL PANEL TYPE (E: ELECTRONIC / T: TOUCH SCREEN / TW: TOUCH SCREEN & WEB COMMUNICATION)

**AMERICA ENERGY, INC**  
Right Solution for Compressed Air & Vacuum Systems  
www.america-energy.com

TITLE: **DIMENSIONAL DRAWING MEDICAL VACUUM SYSTEM CLAW 10HP & 15 HP TRIPLEX**

DRAWING: DATE: 12-FEB-2020 DWG No DD-AEC-O100\_150T-200\_240-S-NNXrev1  
S.N. DESIGN: SCALE: THIS INFORMATION IS PROPERTY OF AMERICA ENERGY, INC. AND MAY NOT BE GIVEN TO ANY OTHER PARTY WITHOUT THE CONSENT OF AMERICA ENERGY, INC.  
A.A. S/E  
CHECKED: SHEET: 1/1