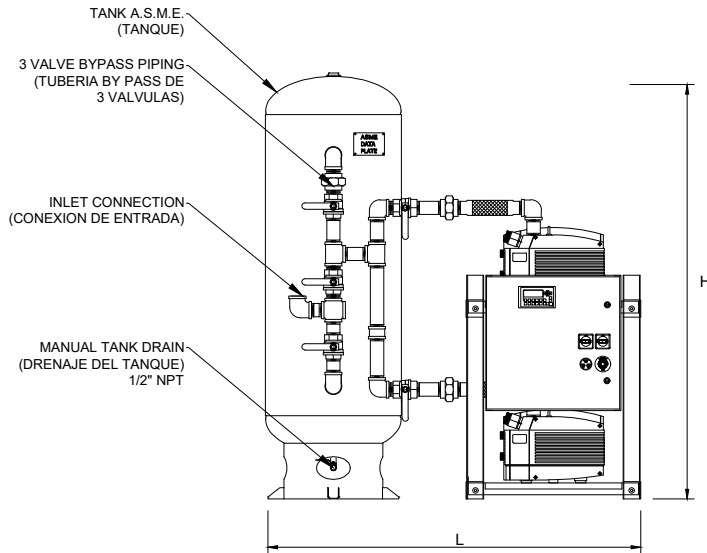
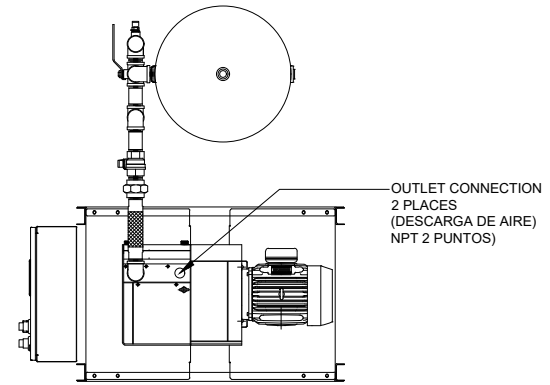


REVISION		
REV	DATE	DESCRIPTION
1	10-SEP-2020	FIRST EDITION

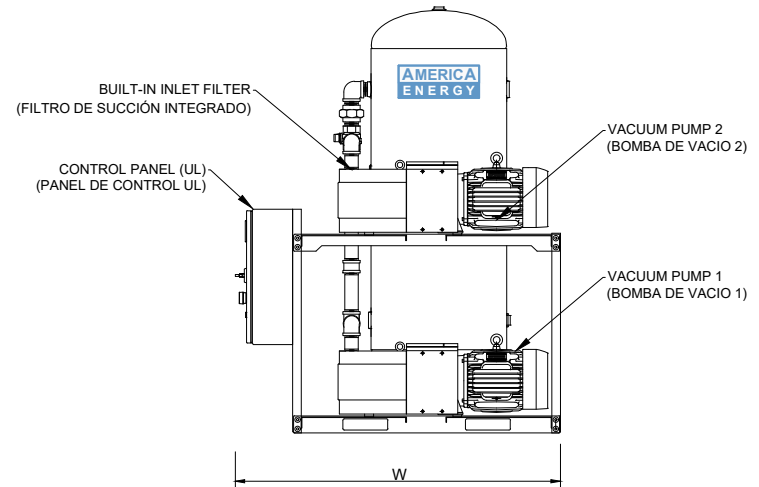
- NOTES:
1. Min. Clearance on all sides must be 36 inch / 90 cms, for proper ventilation and maintenance.
 2. Recommended tight torques for wires terminals:
208 to 460 Volt wire: 35 Lbs/in²
115 Volt wires: 20 Lbs/in².
 3. Normal operation ambient temperature MAX 105°F/40°C.
 4. Flex connctors will be shipped loose.
 5. Information subject to change without notice.

- NOTAS:
1. Espacio mínimo alrededor del equipo 36 inch / 90 cms para garantizar adecuada ventilación y mantenimiento.
 2. Torque recomendado de apriete para terminales de cables:
Cables de 208 V a 460 V: 35 Lbs/in²
Cables 115 V: 20 Lbs/in²
 3. Temperatura ambiente de operación MAX: 105 °F / 40°C.
 4. Las mangueras flexibles se envían sueltas.
 5. Información sujeta a cambios sin previo aviso.



TANK CAP.	H	WEIGHT
Gal	in	Lbs
Lts	mm	Kgr
120	T.V	T.V
454	T.V	T.V
200	82	T.V + 180
757	2083	T.V + 82
240	95	T.V + 240
908	2413	T.V + 109

T.V: TABLE VALUE /
VALOR DE TABLA



MODEL	HP 60 Hz kW	CONN.		TANK SIZE Gal Lts	CONF	PUMP FLOW (each module) acfm m3/hr		SYSTEM NFPA FLOW ONE PUMP STANDBY scfm m3/hr		PUMP AMP TOTAL SYSTEM AMP					BTU/hr	SOUND LEVEL Db (A)	DIMENSION			WEIGHT Lbs Kgr			
		IN NPT in	OUT NPT in			50 Hz	60 Hz	50 Hz	60 Hz	190V	380V	208V	230V	400V			460V	50 Hz	60 Hz		L in mm	W in mm	H in mm
		50 Hz	60 Hz			50 Hz	60 Hz	50 Hz	60 Hz	50 Hz	60 Hz	50 Hz	60 Hz	50 Hz			60 Hz	50 Hz	60 Hz		mm	mm	mm
AEV-O75D-120-S-NNX	7.5	2	2	120	S	75.8	91.0	27.7	33.2	-	-	18.7	18.4	-	9.2	15916	76	69	60	79	1320		
	4.0			454		128.9	154.7	47.1	56.4	-	-	37.4	36.8	-	18.4	19100	79	1753	1524	2007	599		

X = CONTROL PANEL TYPE (E: ELECTRONIC / T: TOUCH SCREEN / TW: TOUCH SCREEN & WEB COMMUNICATION)

AMERICA ENERGY, INC
Right Solution for Compressed Air & Vacuum Systems
www.america-energy.com

TITLE: DIMENSIONAL DRAWING MEDICAL VACUUM SYSTEM
DRY VANE 7.5 HP DUPLEX STACK

DRAWING: DATE: 10-SEP-2020 DWG No DD-AEV-O75D-120_240-S-NNXrev1
S.N.
DESIGN: SCALE:
A.A. S/E
CHECKED: SHEET:
A.A. 1/1

THIS INFORMATION IS PROPERTY OF AMERICA ENERGY, INC. AND MAY NOT BE GIVEN TO ANY OTHER PARTY WITHOUT THE CONSENT OF AMERICA ENERGY, INC.