

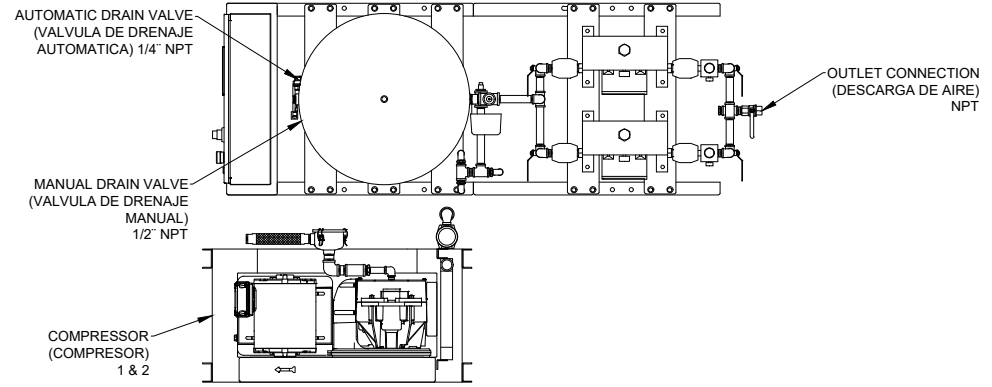
REVISION		
REV	DATE	DESCRIPTION
1	21-FEB-2020	FIRST EDITION

NOTES:

1. Min. Clearance on all sides must be 36 inch / 90 cms, for proper ventilation and maintenance.
2. Recommended tight torques for wires terminals:
208 to 460 Volt wire: 35 Lbs/in²
115 Volt wires: 20 Lbs/in².
3. Normal operation ambient temperature MAX 105°F/40°C.
4. Flex connctors will be shipped loose.
5. Information subject to change without notice.

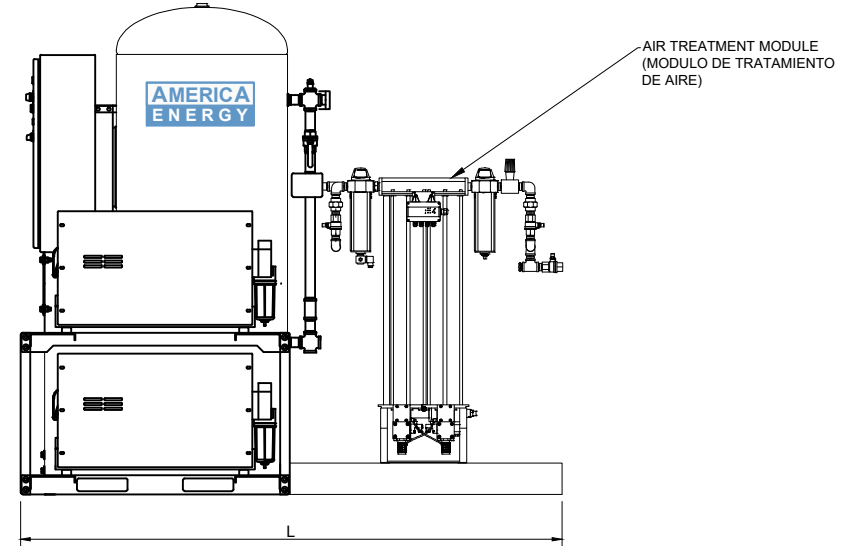
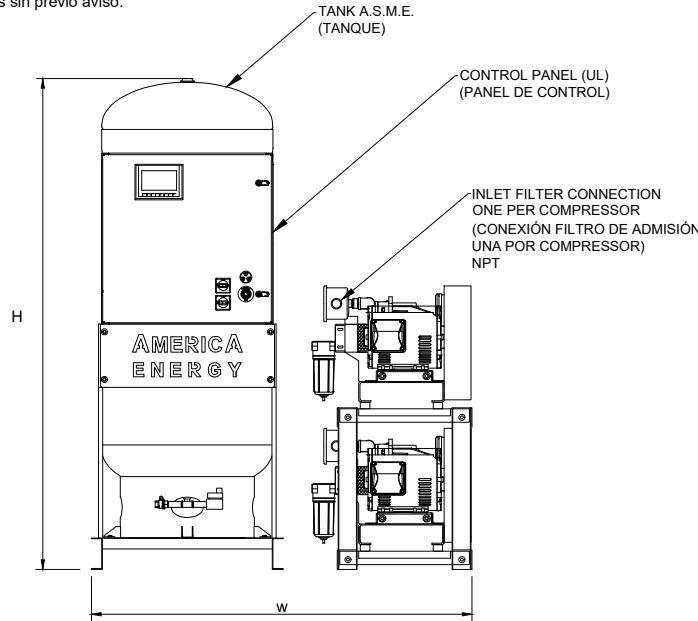
NOTAS:

1. Espacio mínimo alrededor del equipo 36 inch / 90 cms para garantizar adecuada ventilación y mantenimiento.
2. Torque recomendado de apriete para terminales de cables:
Cables de 208 V a 460 V: 35 Lbs/in²
Cables 115 V: 20 Lbs/in²
3. Temperatura ambiente de operación MAX: 105 °F / 40°C.
4. Las mangueras flexibles se envían sueltas.
5. Información sujeta a cambios sin previo aviso.



TANK CAP.	H	WEIGHT
Gal	in	Lbs
Lts	mm	Kgr
120	T.V	T.V
454	T.V	T.V
200	89	T.V + 180
757	2261	T.V + 82
240	100	T.V + 240
908	2540	T.V + 109

T.V: TABLE VALUE / VALOR DE TABLA



MODEL	HP KW	CONN.		TANK SIZE Gal Lts	CONF	PUMP FLOW (each module)		SYSTEM NFPA FLOW ONE PUMP STANBY				PUMP AMP TOTAL SYSTEM AMP					BTU/hr	SOUND LEVEL Db (A)	DIMENSION			WEIGHT Lbs Kgr	
		IN NPT in	OUT NPT in			cfm		cfm m3/hr											L in mm	W in mm	H in mm		
						50 Hz	60 Hz	@ 50 psig		@ 100 psig		50 Hz		60 Hz									
		50 Hz	60 Hz			50 Hz	60 Hz	50 Hz	60 Hz	190V	380V	208V	230V	400V	460V								
AES-O30D-120-S-NNX	3.0	1-1/4	1/2"	120	S	10.4	10.4	10.4	10.4	10.1	10.1	9.1	4.5	8.5	7.7	4.4	3.9	7640	73	97	67	84	1338
	2.2			454		17.7	17.7	17.7	17.7	17.2	17.2	18.2	9	17	15.4	8.8	7.8			2462	1702	2134	607
AES-O50D-120-S-NNX	5.0	1-1/4	1/2"	120	S	17.2	17.2	17.2	17.2	16.3	16.3	15.4	7.7	14	12.7	7.3	6.3	12734	75	97	67	84	1369
	3.7			454		29.2	29.2	29.2	29.2	27.7	27.7	30.8	15.4	28	25.4	14.6	12.6			2462	1702	2134	620
AES-O75D-120-S-NNX	7.5	1-1/4	1/2"	120	S	25.2	25.2	25.2	25.2	24.2	24.2	21.4	10.7	19.2	17.3	-	8.7	19100	75	97	67	84	1405
	5.6			454		42.8	42.8	42.8	42.8	41.1	41.1	42.8	21.4	38.4	34.6	-	17.3			2462	1702	2134	637
AES-O100D-120-S-NNX	10.0	1-1/4	1/2"	120	S	34.4	34.4	34.4	34.4	32.6	32.6	29.0	14.5	26.5	24.0	-	12.0	25467	75	97	67	84	1486
	7.5			454		58.5	58.5	58.5	58.5	55.4	55.4	58.0	29.0	53.0	48.0	-	24.0			2462	1702	2134	674

X = CONTROL PANEL TYPE (E: ELECTRONIC / T: TOUCH SCREEN / TW: TOUCH SCREEN & WEB COMMUNICATION)

AMERICA ENERGY, INC
Right Solution for Compressed Air & Vacuum Systems
www.america-energy.com

TITLE: DIMENSIONAL DRAWING MEDICAL AIR SYSTEM
SCROLL 3HP_10HP DUPLEX

DRAWING: A.A.	DATE: 21-FEB-2020	DWG No DD-AES-O30_100MD-120_240-S-NNXDrev1
DESIGN: A.A.	SCALE: S/E	THIS INFORMATION IS PROPERTY OF AMERICA ENERGY, INC. AND MAY NOT BE GIVEN TO ANY OTHER PARTY WITHOUT THE CONSENT OF AMERICA ENERGY, INC.
CHECKED: A.A.	SHEET: 1/1	