

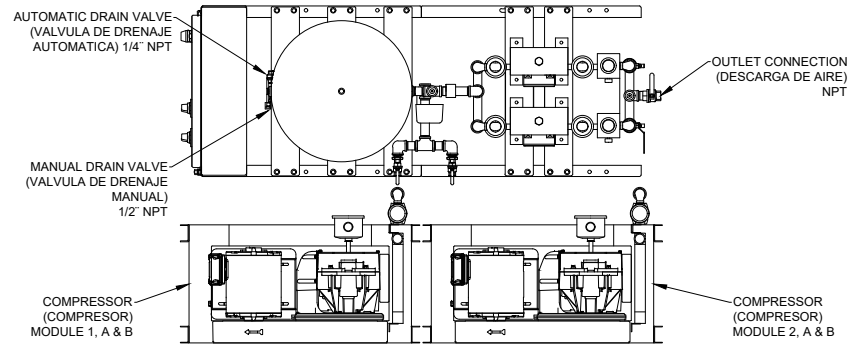
REVISION		
REV	DATE	DESCRIPTION
1	09-SEP-2019	FIRST EDITION
2	04-DEC-2019	UPDATE TABLE DATA
3	28-JUL-2020	UPDATE DRAWING AND TABLE

**NOTES:**

1. Min. Clearance on all sides must be 36 inch / 90 cms, for proper ventilation and maintenance.
2. Recommended tight torques for wires terminals:  
208 to 460 Volt wire: 35 Lbs/in<sup>2</sup>  
115 Volt wires: 20 Lbs/in<sup>2</sup>.
3. Normal operation ambient temperature MAX 105°F/40°C.
4. Flex connctors will be shipped loose.
5. Information subject to change without notice.

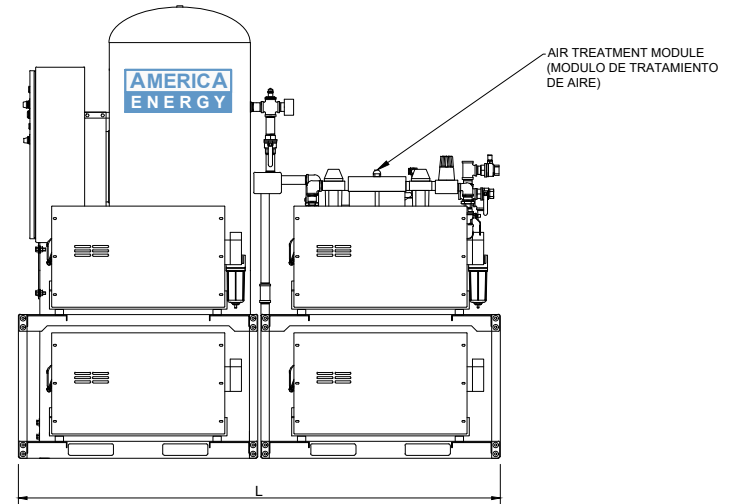
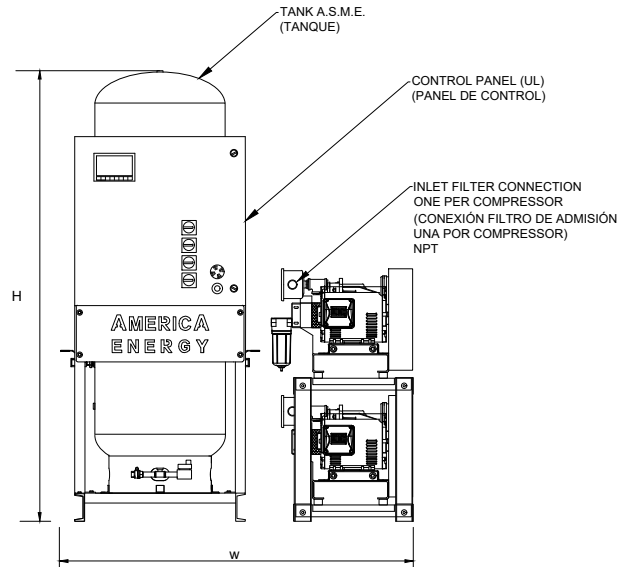
**NOTAS:**

1. Espacio mínimo alrededor del equipo 36 inch / 90 cms para garantizar adecuada ventilación y mantenimiento.
2. Torque recomendado de apriete para terminales de cables:  
Cables de 208 V a 460 V: 35 Lbs/in<sup>2</sup>  
Cables 115 V: 20 Lbs/in<sup>2</sup>
3. Temperatura ambiente de operación MAX: 105 °F / 40°C.
4. Las mangueras flexibles se envían sueltas.
5. Información sujeta a cambios sin previo aviso.



TANK CAP.	H	WEIGHT	
		Lbs	Kgr
120	T.V	T.V	T.V
454	T.V	T.V	T.V
200	89	T.V + 180	T.V + 82
757	2261	T.V + 82	T.V + 82
240	100	T.V + 240	T.V + 109
908	2540	T.V + 109	T.V + 109

T.V: TABLE VALUE / VALOR DE TABLA



MODEL	HP KW	CONN.		TANK SIZE Gal Lts	CONF	PUMP FLOW (each module) cfm m3/hr	SYSTEM NFPA FLOW ONE PUMP STANBY cfm m3/hr				PUMP AMP TOTAL SYSTEM AMP						BTU/hr	SOUND LEVEL Db (A)	DIMENSION			WEIGHT Lbs Kgr	
		IN NPT in	OUT NPT in				@ 50 psig		@ 100 psig		50 Hz		60 Hz						L in mm	W in mm	H in mm		
							50 Hz	60 Hz	50 Hz	60 Hz	50 Hz	60 Hz	190V	380V	208V	230V							400V
		50 Hz	60 Hz				50 Hz	60 Hz	50 Hz	60 Hz	190V	380V	208V	230V	400V	460V							
AES-O151D-120-S-NNX	15	1-1/4	1	120	S	50.4	50.4	50.4	50.4	48.4	48.4	42.8	21.4	38.4	34.6	-	17.4	38201	79	100	69	83	2350
	11.2			454		85.7	85.7	85.7	85.7	82.3	82.3	85.6	42.8	76.8	69.2	-	34.8	2540	1753	2108	1066		
AES-O201D-120-S-NNX	20	1-1/4	1	120	S	68.8	68.8	68.8	68.8	65.2	65.2	58.0	29.0	53.0	48.0	-	24.0	50934	79	100	69	83	2550
	14.9			454		117.0	117.0	117.0	117.0	110.8	110.8	116.0	58.0	106.0	96.0	-	48.0	2540	1753	2108	1156		

X = CONTROL PANEL TYPE (E: ELECTRONIC / T: TOUCH SCREEN / TW: TOUCH SCREEN & WEB COMMUNICATION)

**AMERICA ENERGY, INC**  
Right Solution for Compressed Air & Vacuum Systems  
www.america-energy.com

TITLE: DIMENSIONAL DRAWING MEDICAL AIR SYSTEM  
SCROLL 15HP\_20HP DUPLEX

DRAWING: DATE: 28-JUL-2020 DWG No DD-AES-O151\_201D-S-NNX-NDrev3  
J.E.  
DESIGN: SCALE: A.A.  
A.A. S/E  
CHECKED: SHEET: A.A. 1/1

THIS INFORMATION IS PROPERTY OF AMERICA ENERGY, INC. AND MAY NOT BE GIVEN TO ANY OTHER PARTY WITHOUT THE CONSENT OF AMERICA ENERGY, INC.