

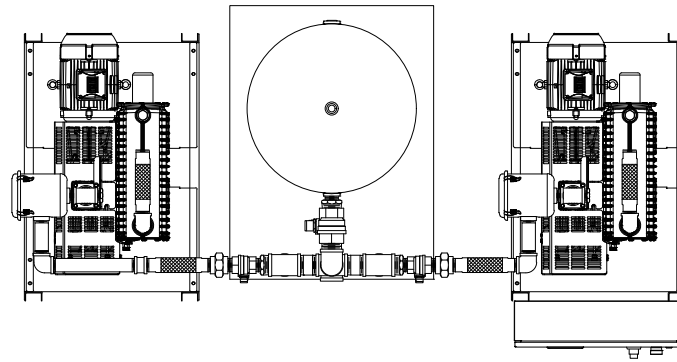
REVISION		
REV	DATE	DESCRIPTION
1	22-MAY-2020	FIRST EDITION
2	23-SEP-2020	TEXT EDITION
3	05-JAN-2021	PIPING

NOTES:

1. Min. Clearance on all sides must be 36 inch / 90 cms, for proper ventilation and maintenance.
2. Recommended tight torques for wires terminals:  
208 to 460 Volt wire: 35 Lbs/in<sup>2</sup>  
115 Volt wires: 20 Lbs/in<sup>2</sup>.
3. Normal operation ambient temperature MAX 105°F/40°C.
4. Flex connctors will be shipped loose.
5. Information subject to change without notice.

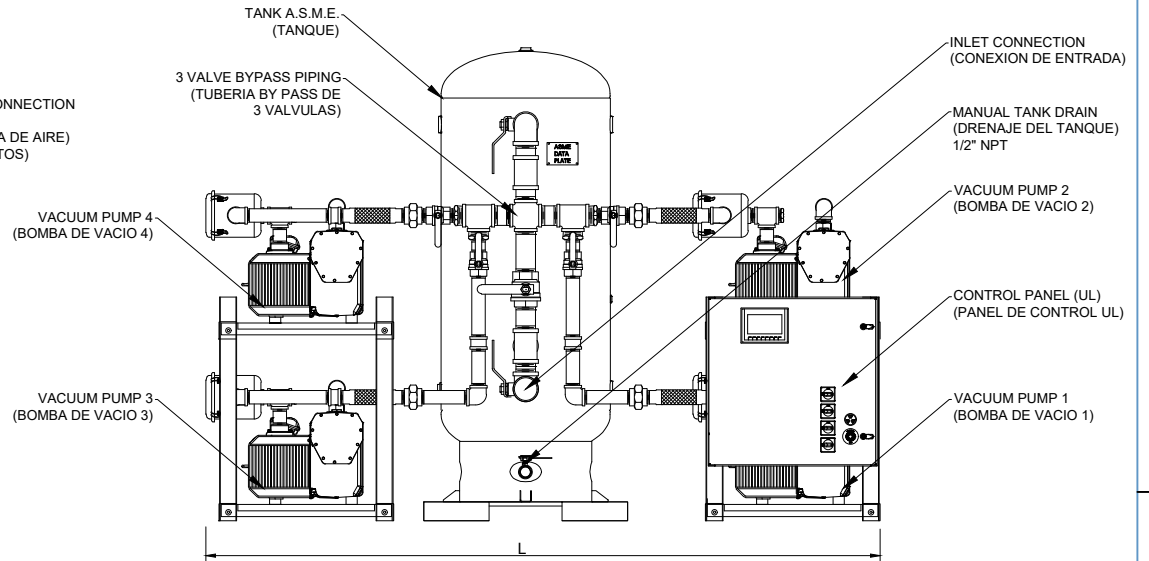
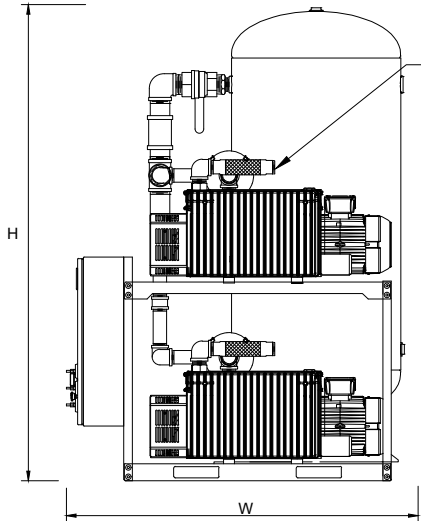
NOTAS:

1. Espacio mínimo alrededor del equipo 36 inch / 90 cms para garantizar adecuada ventilación y mantenimiento.
2. Torque recomendado de apriete para terminales de cables:  
Cables de 208 V a 460 V: 35 Lbs/in<sup>2</sup>  
Cables 115 V: 20 Lbs/in<sup>2</sup>
3. Temperatura ambiente de operación MAX: 105 °F / 40°C.
4. Las mangueras flexibles se envían sueltas.
5. Información sujeta a cambios sin previo aviso.



TANK CAP.	H	WEIGHT
Gal	in	Lbs
Lts	mm	Kgr
200	T.V	T.V
757	T.V	T.V
240	95	T.V + 240
908	2413	T.V + 109

T.V: TABLE VALUE / VALOR DE TABLA



MODEL	HP 60 Hz kW	CONN.		TANK SIZE Gal Lts	CONF	PUMP FLOW (each module)		SYSTEM NFPA FLOW ONE PUMP STANDBY		PUMP AMP TOTAL SYSTEM AMP						BTU/hr	SOUND LEVEL Db (A)	DIMENSION			WEIGHT Lbs Kgr
		IN NPT in	OUT NPT in			acfm	scfm m3/hr	@19 inHg		50 Hz		60 Hz		50 Hz	60 Hz			L	W	H	
								50 Hz	60 Hz	50 Hz	60 Hz	190V	380V								
		50 Hz	60 Hz			50 Hz	60 Hz	190V	380V	208V	230V	400V	460V	60 Hz	60 Hz			mm	mm	mm	
AEV-L50HQ-200-S-NNX...	5.0	3	2	200	S	85.8	103.0	94.0	112.8	-	7.7	14.3	12.9	-	6.5	31834	74	122	68	85	2257
	3.7			757		145.9	175.1	159.8	191.8	-	30.8	57.2	51.6	-	26.0	38201	76	3099	1727	2159	1024
AEV-L75Q-200-S-NNX...	7.5	3	2	200	S	117.8	141.3	129.0	154.8	17.1	8.5	20.1	18.1	-	9.1	47751	75	122	68	85	2821
	4.0			757		200.2	240.2	219.3	263.2	68.4	34.1	80.4	72.4	-	36.3	57301	81	3099	1727	2159	1280
AEV-L100Q-200-S-NNX...	10	3	2	200	S	176.5	211.8	193.3	232.0	23.5	11.8	27.4	24.7	-	12.4	63668	76	122	68	85	3033
	5.5			757		300.0	360.0	328.7	394.4	94.0	47.2	109.6	98.8	-	49.6	76401	80	3099	1727	2159	1376

X = CONTROL PANEL TYPE (T: TOUCH SCREEN / TW: TOUCH SCREEN & WEB COMMUNICATION)

**AMERICA ENERGY, INC**  
Right Solution for Compressed Air & Vacuum Systems  
www.america-energy.com

TITLE: **DIMENSIONAL DRAWING MEDICAL VACUUM SYSTEM LUBRICATED ROTARY VANE 5H TO 10HP QUADRUPLIX**

DRAWING: DATE: 05-JAN-2021 DWG No DD-AEV-L50H\_100Q-200-S-NNX REV3  
S.N.  
DESIGN: SCALE: THIS INFORMATION IS PROPERTY OF AMERICA ENERGY, INC. AND MAY NOT BE GIVEN TO ANY OTHER PARTY WITHOUT THE CONSENT OF AMERICA ENERGY, INC.  
A.A. S/E  
CHECKED: SHEET: 1/1  
A.A.