

REVISION		
REV	DATE	DESCRIPTION
1	24-MAR-2020	FIRST EDITION
2	4-MAY-2020	PUMP UPDATE

NOTES:

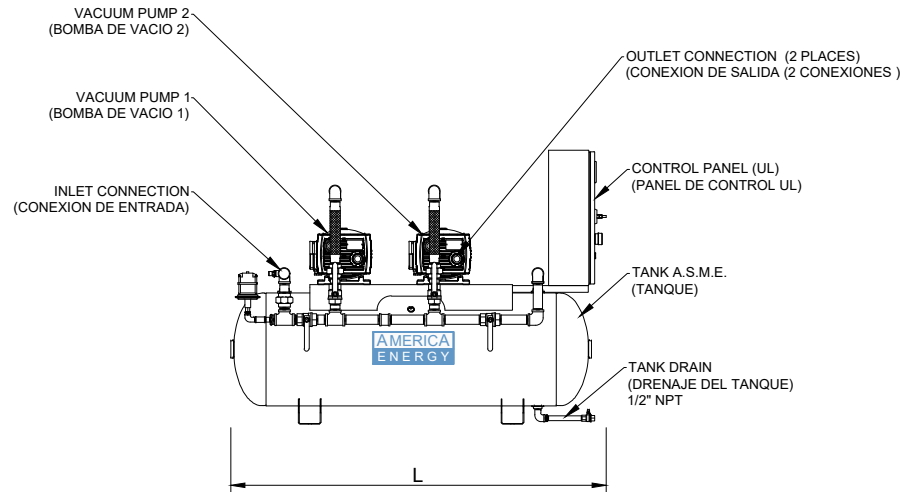
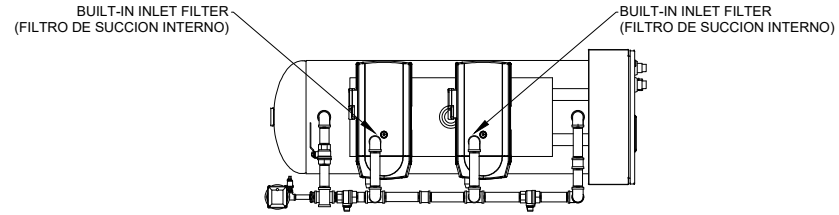
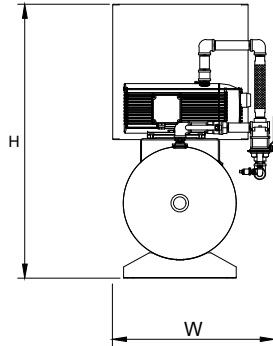
1. Min. Clearance on all sides must be 36 inch / 90 cms, for proper ventilation and maintenance.
2. Recommended tight torques for wires terminals:
208 to 460 Volt wire: 35 Lbs/in²
115 Volt wires: 20 Lbs/in².
3. Normal operation ambient temperature MAX 105°F/40°C.
4. Flex connctors will be shipped loose.
5. Information subject to change without notice.

NOTAS:

1. Espacio mínimo alrededor del equipo 36 inch / 90 cms para garantizar adecuada ventilación y mantenimiento.
2. Torque recomendado de apriete para terminales de cables:
Cables de 208 V a 460 V: 35 Lbs/in²
Cables 115 V: 20 Lbs/in²
3. Temperatura ambiente de operación MAX: 105 °F / 40°C.
4. Las mangueras flexibles se envían sueltas.
5. Información sujeta a cambios sin previo aviso.

TANK CAP.	L	WEIGHT
Gal	Inch	Lbs
Lts	mm	Kgr
80	T.V	T.V
303	T.V	T.V
60	T.V - 15	T.V - 52
227	T.V - 381	T.V - 24

T.V: TABLE VALUE / VALOR DE TABLA



MODEL	HP 60 Hz kW 50 Hz	CONN.		TANK SIZE Gal Lts	CONF	PUMP FLOW (each module)		SYSTEM NFPA FLOW ONE PUMP STANDBY		PUMP AMP TOTAL SYSTEM AMP						BTU/hr	SOUND LEVEL Db (A)		DIMENSION			WEIGHT Lbs Kgr
		IN NPT in	OUT NPT in			50 Hz acfm m3/hr	60 Hz acfm m3/hr	50 Hz scfm m3/hr	60 Hz scfm m3/hr	@19 inHg		50 Hz		60 Hz			50 Hz	60 Hz	in	in	in	
										190V	380V	208V	230V	400V	460V							
		50 Hz	60 Hz			50 Hz	60 Hz	190V	380V	208V	230V	400V	460V	60 Hz	60 Hz		mm	mm	mm	Kgr		
AEV-L12D-80-H-NNX	1.2	1-1/4"	3/4"	80	H	14.7	17.7	5.4	6.5	3.9	2.3	4.6	4.5	2.5	2.4	2546	62	68	30	51	570	
	0.9			25.0		30.1	9.2	11.1	7.8	4.6	9.2	9.0	5.0	4.8	3056	67	1651	635	1295	259		
AEV-L20D-80-H-NNX	2.0	1-1/4"	3/4"	80	H	23.6	28.3	8.6	10.3	5.2	3.3	6.7	6.4	3.6	3.4	4244	67	68	30	51	620	
	1.2			40.2		48.1	14.6	17.5	10.4	6.6	13.4	12.8	7.2	6.8	5093	72	1651	635	1295	281		

X = CONTROL PANEL TYPE (E: ELECTRONIC / T: TOUCH SCREEN / TW: TOUCH SCREEN & WEB COMMUNICATION)

AMERICA ENERGY, INC
Right Solution for Compressed Air & Vacuum Systems
www.america-energy.com

TITLE: **DIMENSIONAL DRAWING MEDICAL VACUUM SYSTEM DRY VANE HORIZONTAL DUPLEX**

DRAWING: DATE: 04-MAY-2020 DWG No DD-AEV-O12_20-80-H-NNXrev2
S.N.
DESIGN: SCALE: 4/S/E
A.A. S/E
CHECKED: SHEET: 1/1
A.A. 1/1

THIS INFORMATION IS PROPERTY OF AMERICA ENERGY, INC. AND MAY NOT BE GIVEN TO ANY OTHER PARTY WITHOUT THE CONSENT OF AMERICA ENERGY, INC.