

1

2

3

4

C

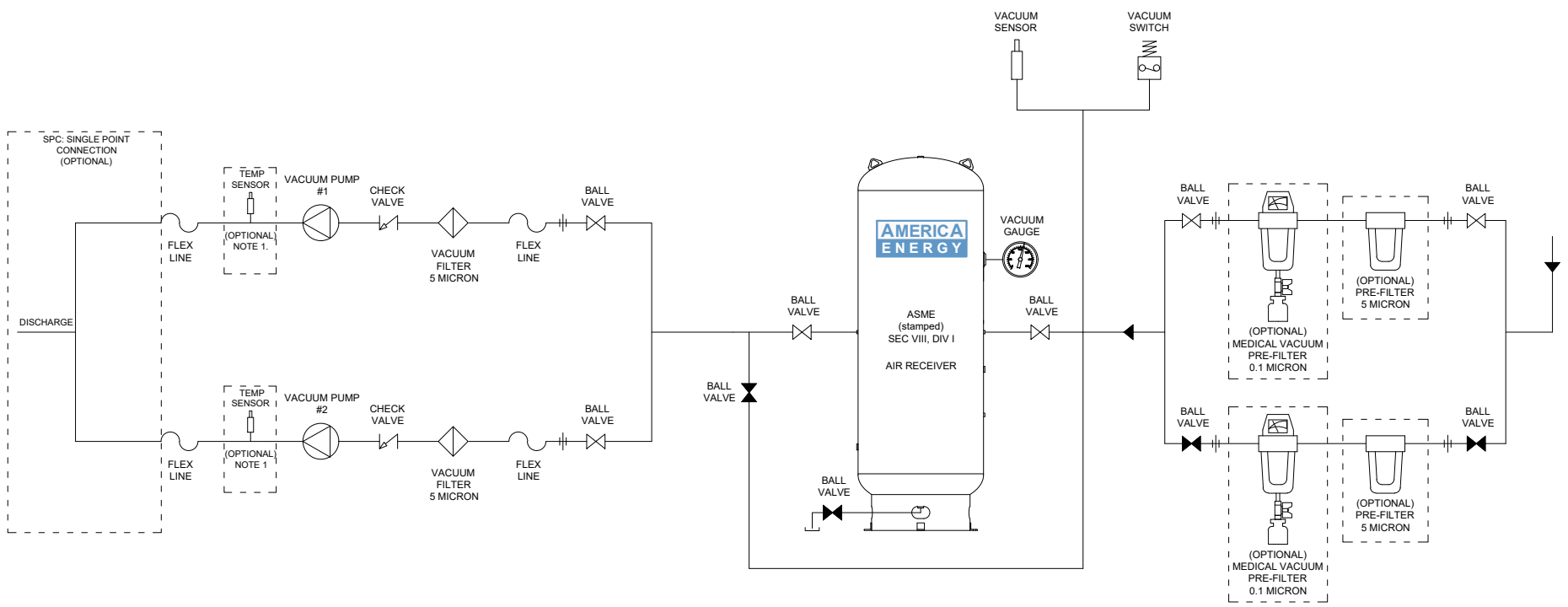
C

B

B

A

A



NOTES:
 1. Temperature sensor is included in Claw systems, for Lube and Dry Vane systems is optional.

NOTAS:
 1. El Sensor de temperatura está incluido en los sistemas de Garra, para los sistemas de Paleta Lubricada y Seca es opcional.

REV	DATE	DESCRIPTION
2	31-JUL-2020	OPTIONAL TSEN
1	07-JUL-2020	FIRST EDITION

		AMERICA ENERGY, INC Right Solution for Compressed Air & Vacuum Systems www.america-energy.com	
TITLE: P&ID MEDICAL VACUUM SYSTEM DUPLEX			
DRAWING: J.E.	DATE: 31-JUL-2020	DWG No	PID-AE-VN200-R2
DESIGN: A.A.	SCALE: S/E	THIS INFORMATION IS PROPERTY OF AMERICA ENERGY, INC. AND MAY NOT BE GIVEN TO ANY OTHER PARTY WITHOUT THE CONSENT OF AMERICA ENERGY, INC.	
CHECKED: A.A.	SHEET: 1/1		

1

2

3

4